

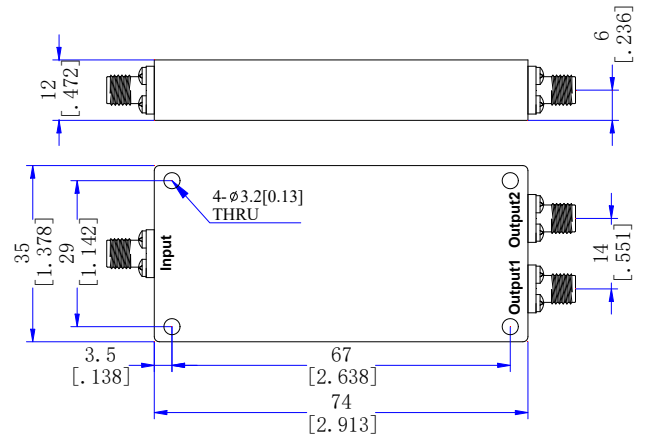
TMPD2-00500800-30S

**500 to 8000 MHz, 30W, SMA Female
 2-WAY POWER DIVIDER**

Electrical Characteristics

FREQUENCY RANGE	500~8000MHz
INSERTION LOSS	1.5dB max.
(excluding theoretical insertion loss 3.0dB)		
AMPLITUDE BALANCE	±0.2dB
PHASE BALANCE	±3 Deg.
VSWR(input port)	1.16 typ. & 1.25 max.
VSWR(output ports)	1.12 typ. & 1.2 max.
ISOLATION	25dB typ. & 20dB min.
IMPEDANCE	50 Ohms
POWER RATING(as a divider)	30W
POWER RATING(as a combiner)	2W

Outline Drawing(mm[inch])



Mechanical and Enviromental Characteristics

Dimensions	74×35×12mm
RF Connectors	SMA female
Surface Finishing	Black Paint
Operating Temperature	-45°C ~ +85°C
Weight	60g