

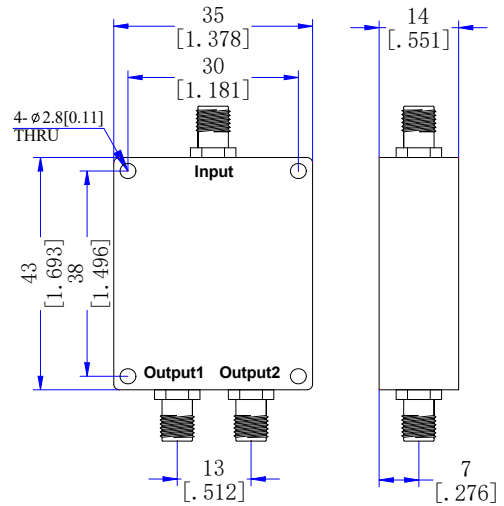
**TMPD2-00800300-30S**

**0.8 to 3 GHz, 30W, SMA Female  
 2-WAY POWER DIVIDER**

**Electrical Characteristics**

<b>FREQUENCY RANGE</b>	800~3000MHz
<b>INSERTION LOSS</b>	0.5dB max.
(excluding theoretical insertion loss 3.0dB)	
<b>AMPLITUDE BALANCE</b>	±0.2dB
<b>PHASE BALANCE</b>	±2 Deg.
<b>VSWR(input port)</b>	1.18 typ. & 1.2 max.
<b>VSWR(output ports)</b>	1.12 typ. & 1.2 max.
<b>ISOLATION</b>	26dB typ. & 20dB min.
<b>IMPEDANCE</b>	50 Ohms
<b>POWER RATING(as a divider)</b>	30W
<b>POWER RATING(as a combiner)</b>	2W

**Outline Drawing(mm[inch])**



**Mechanical and Enviromental Characteristics**

<b>Dimensions</b>	43×35×14mm
<b>RF Connectors</b>	SMA female
<b>Surface Finishing</b>	Black Paint
<b>Operating Temperature</b>	-35°C ~ +75°C
<b>Weight</b>	48g