

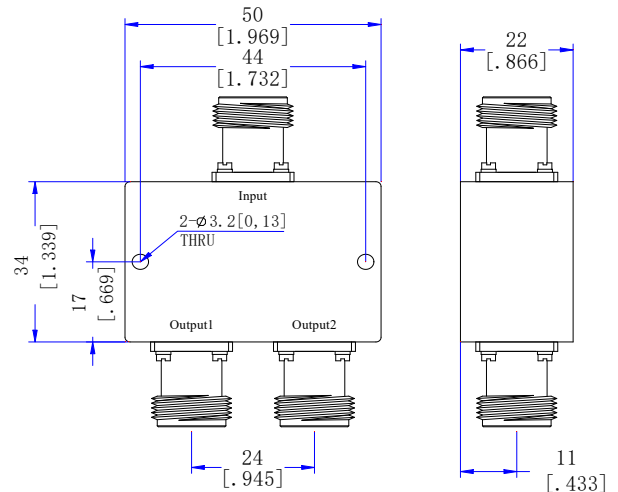
TMPD2-02000400-30NA

**2 to 4 GHz, 30W, N Female
2-WAY POWER DIVIDER**

Electrical Characteristics

FREQUENCY RANGE	2000~4000MHz
INSERTION LOSS	0.5dB max.
(excluding theoretical insertion loss 3.0dB)		
AMPLITUDE BALANCE	±0.2dB
PHASE BALANCE	±2 Deg.
VSWR(input port)	1.18 typ. & 1.25 max.
VSWR(output ports)	1.12 typ. & 1.2 max.
ISOLATION	26dB typ. & 20dB min.
IMPEDANCE	50 Ohms
POWER RATING(as a divider)	30W
POWER RATING(as a combiner)	2W
IP GRADE	IP67

Outline Drawing(mm[inch])



Mechanical and Environmental Characteristics

Dimensions	34×50×22mm
RF Connectors	N female
Surface Finishing	Gray Paint
Operating Temperature	-35℃ ~ +75℃
Weight	21g