

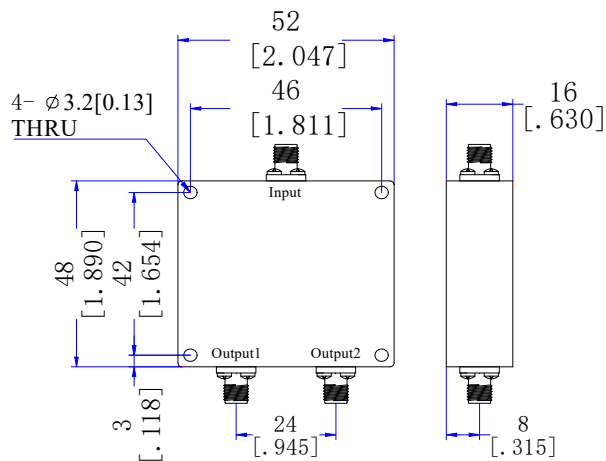
TMPD2-05700585-100S

5.7 to 5.85 GHz, 100W, SMA Female
2-WAY POWER DIVIDER

Electrical Characteristics

FREQUENCY RANGE	5700~5850MHz
INSERTION LOSS	0.4dB max.
<small>(excluding theoretical insertion loss 3.0dB)</small>		
AMPLITUDE BALANCE	±0.2dB
PHASE BALANCE	±3 Deg.
VSWR (input port)	1.18 typ. & 1.25 max.
VSWR (output ports)	1.12 typ. & 1.2 max.
ISOLATION	26dB typ. & 18dB min.
IMPEDANCE	50 Ohms
POWER RATING (as a divider)	100W
POWER RATING (as a combiner)	5W

Outline Drawing(mm[inch])



Mechanical and Environmental Characteristics

Dimensions	48×52×16mm
RF Connectors	SMA female
Surface Finishing	Sandblasted Silver
Operating Temperature	-35°C ~ +75°C
Weight	100g