

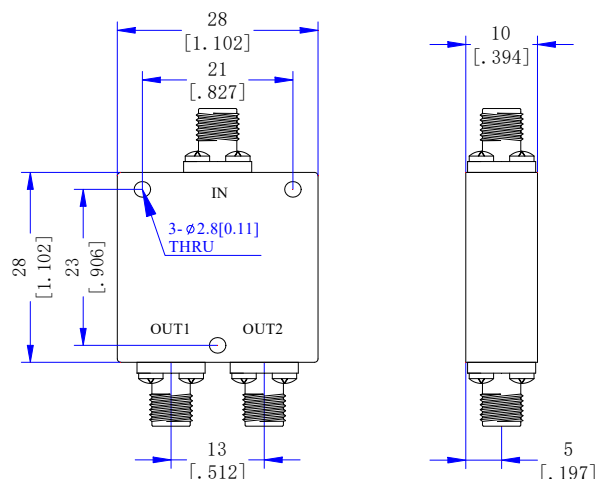
## TMPD2-08001200-20S

**8 to 12 GHz, 20W, SMA Female  
2-WAY POWER DIVIDER**

### Electrical Characteristics

<b>FREQUENCY RANGE</b>	8000~12000MHz
<b>INSERTION LOSS</b>	0.5dB max.
(excluding theoretical insertion loss 3.0dB)	
<b>AMPLITUDE BALANCE</b>	±0.2dB
<b>PHASE BALANCE</b>	±3 Deg.
<b>VSWR(input port)</b>	1.18 typ. & 1.25 max.
<b>VSWR(output ports)</b>	1.15 typ. & 1.2 max.
<b>ISOLATION</b>	26dB typ. & 20dB min.
<b>IMPEDANCE</b>	50 Ohms
<b>POWER RATING(as a divider)</b>	20W
<b>POWER RATING(as a combiner)</b>	1W

### Outline Drawing(mm[inch])



### Mechanical and Environmental Characteristics

<b>Dimensions</b>	28×28×10mm
<b>RF Connectors</b>	SMA female
<b>Surface Finishing</b>	Black Paint
<b>Operating Temperature</b>	-45°C ~ +85°C
<b>Weight</b>	22g