

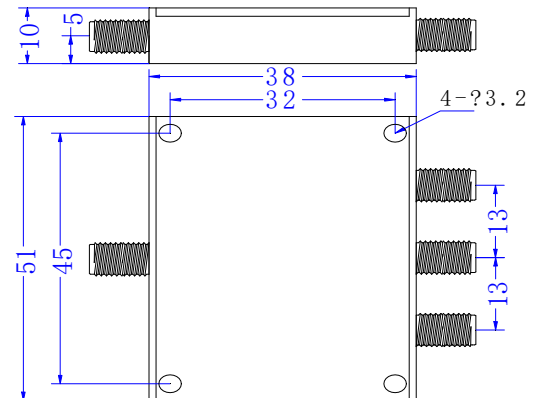
## TMPD3-17002150-20S

17 to 21.5 GHz, 20W, SMA Female  
3-WAY POWER DIVIDER

### Electrical Characteristics

|  |                       |
|--|-----------------------|
| <b>FREQUENCY RANGE</b> .....                 | 17~21.5GHz            |
| <b>INSERTION LOSS</b> .....                  | 2.0dB max.            |
| (excluding theoretical insertion loss 4.8dB) |                       |
| <b>AMPLITUDE BALANCE</b> .....               | ±0.9dB                |
| <b>PHASE BALANCE</b> .....                   | ±6 Deg.               |
| <b>VSWR(input port)</b> .....                | 1.22 typ. & 1.6 max.  |
| <b>VSWR(output ports)</b> .....              | 1.18 typ. & 1.6 max.  |
| <b>ISOLATION</b> .....                       | 18dB min. & 24dB typ. |
| <b>IMPEDANCE</b> .....                       | 50 Ohms               |
| <b>POWER RATING(as a divider)</b> .....      | 20W                   |
| <b>POWER RATING(as a combiner)</b> .....     | 1W                    |

### Outline Drawing(mm[inch])



### Mechanical and Environmental Characteristics

|                                    |               |
|------------------------------------|---------------|
| <b>Dimensions</b> .....            | 38×51×10mm    |
| <b>RF Connectors</b> .....         | SMA female    |
| <b>Surface Finishing</b> .....     | Black Paint   |
| <b>Operating Temperature</b> ..... | -45°C ~ +85°C |
| <b>Weight</b> .....                | 52g           |