

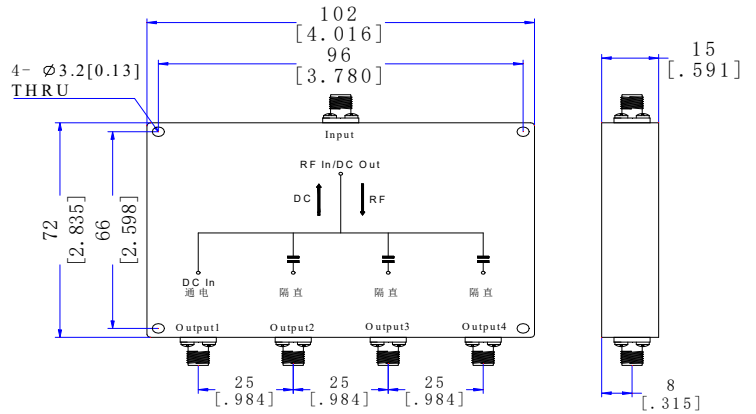
TMPD4-00800220-30S

**0.8 to 2.2 GHz, 30W, SMA Female
 4-WAY POWER DIVIDER**

Electrical Characteristics

FREQUENCY RANGE	800~2200MHz
INSERTION LOSS	0.8dB max. (excluding theoretical insertion loss 6.0dB)
AMPLITUDE BALANCE	±0.3dB
PHASE BALANCE	±3 Deg.
VSWR(input port)	1.16 typ. & 1.25 max.
VSWR(output ports)	1.12 typ. & 1.2 max.
ISOLATION	26dB typ. & 20dB min.
IMPEDANCE	50 Ohms
POWER RATING(as a divider)	...	30W
POWER RATING(as a combiner)	...	2W
Power Supply	24Vdc/3A

Outline Drawing(mm[inch])



Mechanical and Enviromental Characteristics

Dimensions	102×72×15mm
RF Connectors	SMA female
Surface Finishing	Black Paint
Operating Temperature	-35℃ ~ +75℃
Weight	240g