

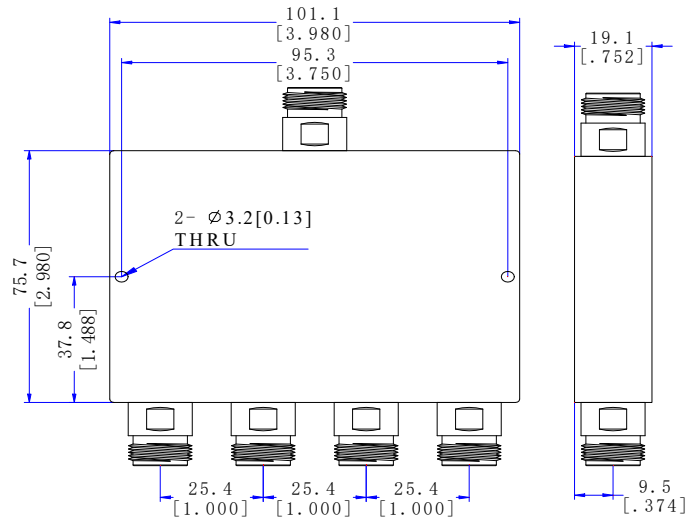
TMPD4-00800250-30NA

0.8 to 2.5 GHz, 30W, N Female
4-WAY POWER DIVIDER

Electrical Characteristics

FREQUENCY RANGE	800~2500MHz
INSERTION LOSS	0.8dB max.
(excluding theoretical insertion loss 6.0dB)		
AMPLITUDE BALANCE	±0.3dB
PHASE BALANCE	±3 Deg.
VSWR(input port)	1.11 typ. & 1.2 max.
VSWR(output ports)	1.1 typ. & 1.2 max.
ISOLATION	26dB typ. & 20dB min.
IMPEDANCE	50 Ohms
POWER RATING(as a divider)	...	30W
POWER RATING(as a combiner)	...	2W

Outline Drawing(mm[inch])



Mechanical and Enviromental Characteristics

Dimensions	75.5×101.1×19.1mm
RF Connectors	N female
Surface Finishing	Black Paint
Operating Temperature	-35°C ~ +75°C
Weight	385g