

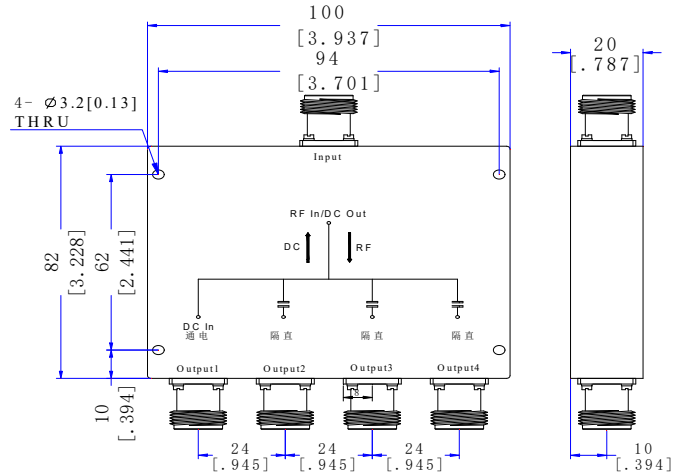
TMPD4-00800250-30NB

**0.8 to 2.5 GHz, 30W, N Female
 4-WAY POWER DIVIDER**

Electrical Characteristics

FREQUENCY RANGE	800~2500MHz
INSERTION LOSS	0.8dB max. (excluding theoretical insertion loss 6.0dB)
AMPLITUDE BALANCE	±0.3dB
PHASE BALANCE	±4 Deg.
VSWR(input port)	1.16 typ. & 1.2 max.
VSWR(output ports)	1.12 typ. & 1.2 max.
ISOLATION	26dB typ. & 20dB min.
IMPEDANCE	50 Ohms
POWER RATING(as a divider)	...	30W
POWER RATING(as a combiner)	...	2W
Power Supply	24Vdc/3A

Outline Drawing(mm[inch])



Mechanical and Enviromental Characteristics

Dimensions	100×82×20mm
RF Connectors	N female
Surface Finishing	Black Paint
Operating Temperature	-35°C ~ +75°C
Weight	400g