

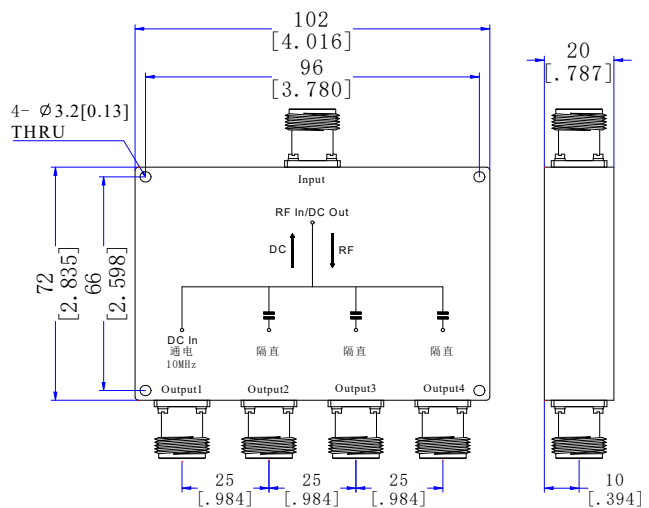
TMPD4-00950215-30NA

**0.95 to 2.15 GHz, 30W, N Female
 4-WAY POWER DIVIDER**

Electrical Characteristics

FREQUENCY RANGE	950~2150MHz
INSERTION LOSS	0.5dB max.
(excluding theoretical insertion loss 6.0dB)		
AMPLITUDE BALANCE	±0.3dB
PHASE BALANCE	±3 Deg.
VSWR(input port)	1.16 typ. & 1.25 max.
VSWR(output ports)	1.12 typ. & 1.2 max.
ISOLATION	26dB typ. & 20dB min.
IMPEDANCE	50 Ohms
POWER RATING(as a divider)	30W
POWER RATING(as a combin.)	2W

Outline Drawing(mm[inch])



Mechanical and Environmental Characteristics

Dimensions	102×72×20mm
RF Connectors	N female
Surface Finishing	Black Paint
Operating Temperature	-35°C ~ +75°C
Weight	350g