

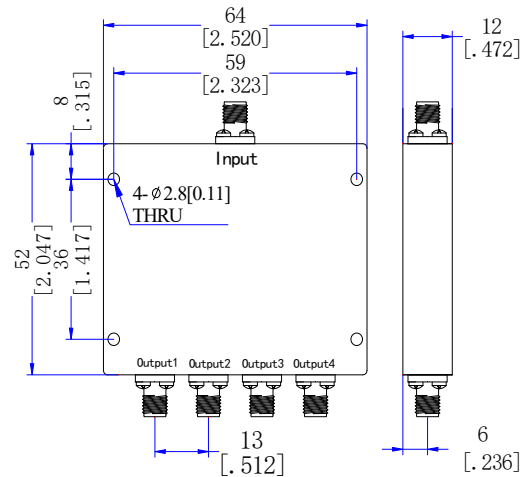
## TMPD4-00950215-30SB

0.95 to 2.15 GHz, 30W, SMA Female  
4-WAY POWER DIVIDER

### Electrical Characteristics

<b>FREQUENCY RANGE</b>	.....	950~2150MHz
<b>INSERTION LOSS</b>	.....	0.8dB max.
(excluding theoretical insertion loss 6.0dB)		
<b>AMPLITUDE BALANCE</b>	.....	±0.2dB
<b>PHASE BALANCE</b>	.....	±3 Deg.
<b>VSWR(input port)</b>	.....	1.18 typ. & 1.25 max.
<b>VSWR(output ports)</b>	.....	1.12 typ. & 1.2 max.
<b>ISOLATION</b>	.....	26dB typ. & 20dB min.
<b>IMPEDANCE</b>	.....	50 Ohms
<b>POWER RATING(as a divider)</b>	.....	30W
<b>POWER RATING(as a combiner)</b>	.....	2W

### Outline Drawing(mm[inch])



### Mechanical and Environmental Characteristics

<b>Dimensions</b>	.....	52×64×12mm
<b>RF Connectors</b>	.....	SMA female
<b>Surface Finishing</b>	.....	Black Paint
<b>Operating Temperature</b>	.....	-35°C ~ +75°C
<b>Weight</b>	.....	95g