

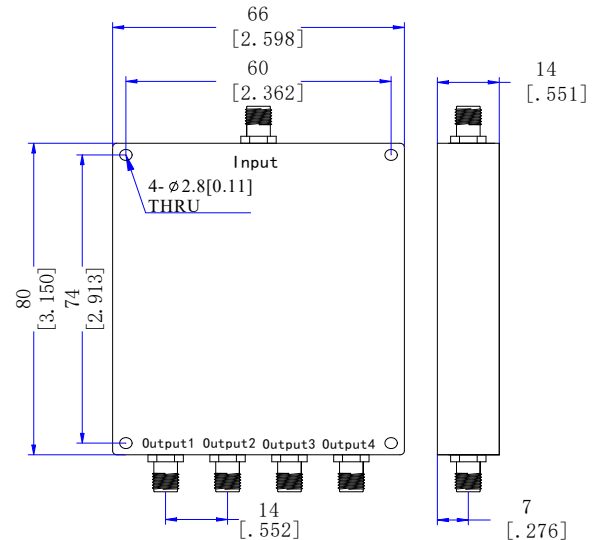
TMPD4-01000600-20SA

1 to 6 GHz, 20W, SMA Female
4-WAY POWER DIVIDER

Electrical Characteristics

FREQUENCY RANGE	1000~6000MHz
INSERTION LOSS	1.8dB max.
(excluding theoretical insertion loss 6.0dB)		
AMPLITUDE BALANCE	±0.4dB
PHASE BALANCE	±4 Deg.
VSWR(input port)	1.16 typ. & 1.35 max.
VSWR(output ports)	1.12 typ. & 1.25 max.
ISOLATION	18dB min.
IMPEDANCE	50 Ohms
POWER RATING(as a divider)	20W
POWER RATING(as a combiner)	2W

Outline Drawing(mm[inch])



Mechanical and Environmental Characteristics

Dimensions	80×66×14mm
RF Connectors	SMA female
Surface Finishing	Black Paint
Operating Temperature	-35℃ ~ +75℃