

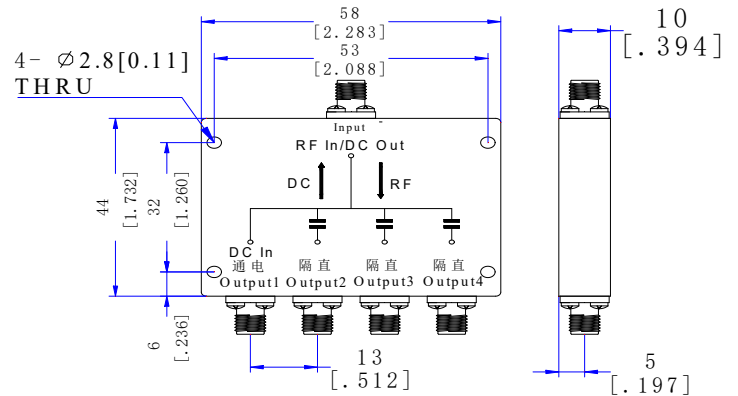
TMPD4-01100170-20S

1.1 to 1.7 GHz, 20W, SMA Female
4-WAY POWER DIVIDER

Electrical Characteristics

FREQUENCY RANGE	1100~1700MHz
INSERTION LOSS	0.5dB max.
(excluding theoretical insertion loss 6.0dB)		
AMPLITUDE BALANCE	±0.2dB
PHASE BALANCE	±2 Deg.
VSWR(input port)	1.16 typ. & 1.25 max.
VSWR(output ports)	1.12 typ. & 1.2 max.
ISOLATION	30dB typ. & 22dB min.
IMPEDANCE	50 Ohms
POWER RATING(as a divider)	20W
POWER RATING(as a combiner)	2W

Outline Drawing(mm[inch])



Mechanical and Environmental Characteristics

Dimensions	44×58×10mm
RF Connectors	SMA female
Surface Finishing	Blue Paint
Operating Temperature	-35℃ ~ +75℃
Weight	70g