

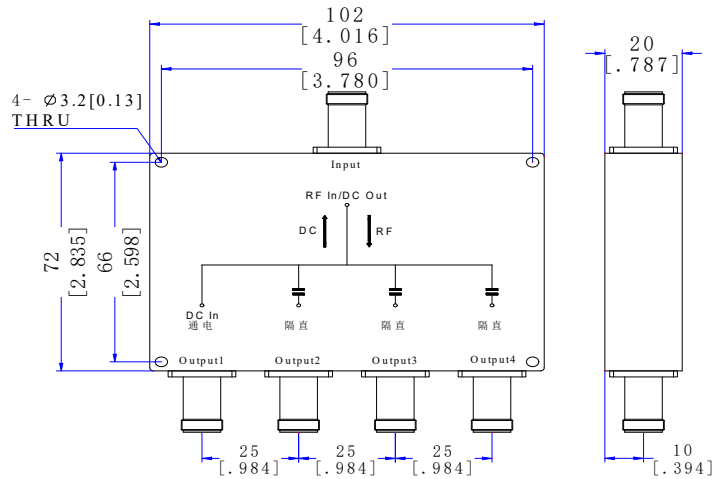
## TMPD4-01100170-30T

1.1 to 1.7 GHz, 30W, TNC Female  
4-WAY POWER DIVIDER

### Electrical Characteristics

<b>FREQUENCY RANGE</b>	.....	1100~1700MHz
<b>INSERTION LOSS</b>	.....	0.5dB max.
(excluding theoretical insertion loss 6.0dB)		
<b>AMPLITUDE BALANCE</b>	.....	±0.3dB
<b>PHASE BALANCE</b>	.....	±3 Deg.
<b>VSWR(input port)</b>	.....	1.16 typ. & 1.2 max.
<b>VSWR(output ports)</b>	.....	1.12 typ. & 1.2 max.
<b>ISOLATION</b>	.....	26dB typ. & 20dB min.
<b>IMPEDANCE</b>	.....	50 Ohms
<b>POWER RATING(as a divider)</b>	.....	30W
<b>POWER RATING(as a combiner)</b>	.....	2W
<b>POWER SUPPLY</b>	.....	24Vdc/3A

### Outline Drawing(mm[inch])



### Mechanical and Environmental Characteristics

<b>Dimensions</b>	.....	72×102×20mm
<b>RF Connectors</b>	.....	TNC female
<b>Surface Finishing</b>	.....	Black Paint
<b>Operating Temperature</b>	.....	-35℃ ~ +75℃
<b>Weight</b>	.....	350g