

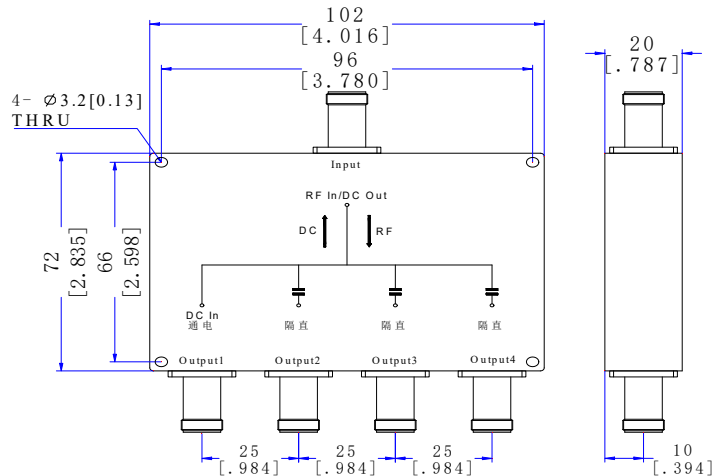
TMPD4-01100260-30N

1.1 to 2.6 GHz, 30W, N Female
4-WAY POWER DIVIDER

Electrical Characteristics

FREQUENCY RANGE	1100~2600MHz
INSERTION LOSS	0.6dB max.
(excluding theoretical insertion loss 6.0dB)	
AMPLITUDE BALANCE	±0.3dB
PHASE BALANCE	±3 Deg.
VSWR(input port)	1.16 typ. & 1.25 max.
VSWR(output ports)	1.12 typ. & 1.2 max.
ISOLATION	26dB typ. & 20dB min.
IMPEDANCE	50 Ohms
POWER RATING(as a divider)	30W
POWER RATING(as a combiner)	2W
POWER SUPPLY	24Vdc/3A

Outline Drawing(mm[inch])



Mechanical and Environmental Characteristics

Dimensions	72×102×20mm
RF Connectors	N female
Surface Finishing	Sandblasted Silver
Operating Temperature	-35℃ ~ +75℃
Weight	350g