

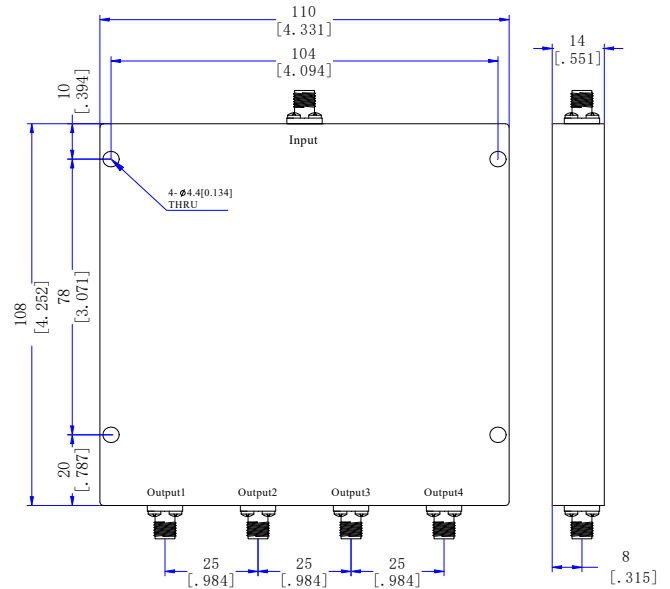
TMPD4-02000600-50S

**2 to 6 GHz, 50W, SMA Female
4-WAY POWER DIVIDER**

Electrical Characteristics

FREQUENCY RANGE	2000~6000MHz
INSERTION LOSS	1.0dB max.
(excluding theoretical insertion loss 6.0dB)		
AMPLITUDE BALANCE	±0.3dB
PHASE BALANCE	±4 Deg.
VSWR(input port)	1.18 typ. & 1.25 max.
VSWR(output ports)	1.16 typ. & 1.2 max.
ISOLATION	24dB typ. & 18dB min.
IMPEDANCE	50 Ohms
POWER RATING(as a divider)	50W
POWER RATING(as a combiner)	5W

Outline Drawing(mm[inch])



Mechanical and Environmental Characteristics

Dimensions	108×110×14mm
RF Connectors	SMA female
Surface Finishing	Sandblasted Silver
Operating Temperature	-35°C ~ +75°C