

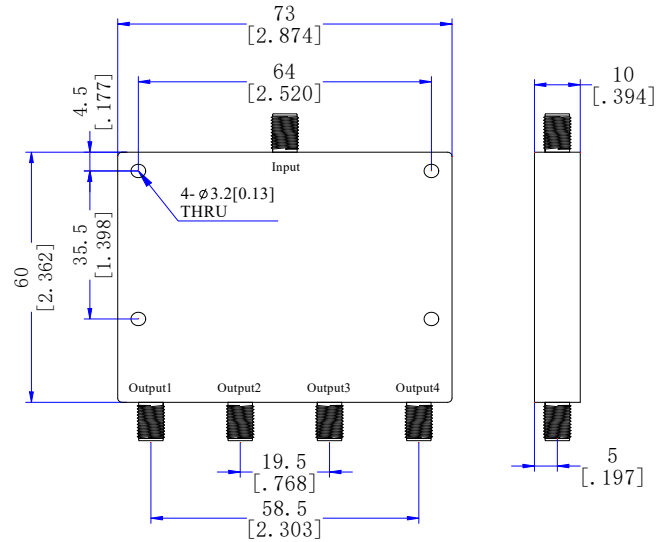
TMPD4-02001800-20SA

**2 to 18 GHz, 20W, SMA Female
 4-WAY POWER DIVIDER**

Electrical Characteristics

FREQUENCY RANGE	2000~18000MHz
INSERTION LOSS	2.0dB max.
(excluding theoretical insertion loss 6.0dB)		
AMPLITUDE BALANCE	±0.4dB
PHASE BALANCE	±6 Deg.
VSWR(input port)	1.35 typ. & 1.5 max.
VSWR(output ports)	1.25 typ. & 1.4 max.
ISOLATION	22dB typ. & 17dB min.
IMPEDANCE	50 Ohms
POWER RATING(as a divider)	20W
POWER RATING(as a combiner)	1W

Outline Drawing(mm[inch])



Mechanical and Environmental Characteristics

Dimensions	73×60×10mm
RF Connectors	SMA female
Surface Finishing	Black Paint
Operating Temperature	-45°C ~ +85°C
Weight	160g