

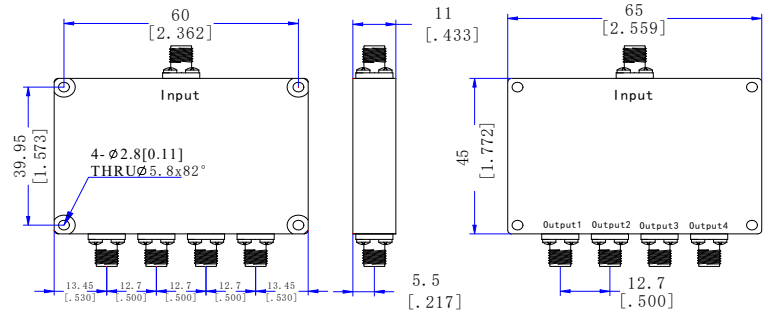
## TMPD4-02900350-40S

2.9 to 3.5 GHz, 40W, SMA Female  
**4-WAY POWER DIVIDER**

### Electrical Characteristics

<b>FREQUENCY RANGE</b>	.....	2900~3500MHz
<b>INSERTION LOSS</b>	.....	0.45dB max.
(excluding theoretical insertion loss 6.0dB)		
<b>AMPLITUDE BALANCE</b>	.....	±0.1dB
<b>PHASE BALANCE</b>	.....	±2 Deg.
<b>VSWR(input port)</b>	.....	1.18 typ. & 1.3 max.
<b>VSWR(output ports)</b>	.....	1.12 typ. & 1.2 max.
<b>ISOLATION</b>	.....	23dB min.
<b>IMPEDANCE</b>	.....	50 Ohms
<b>POWER RATING(as a divider)</b>	....	40W
<b>POWER RATING(as a combiner)</b>	....	1W

### Outline Drawing(mm[inch])



### Mechanical and Environmental Characteristics

<b>Dimensions</b>	.....	45×65×11mm
<b>RF Connectors</b>	.....	SMA female
<b>Surface Finishing</b>	.....	Sandblasted Silver
<b>Operating Temperature</b>	.....	-55°C ~ +85°C
<b>Weight</b>	.....	75g