

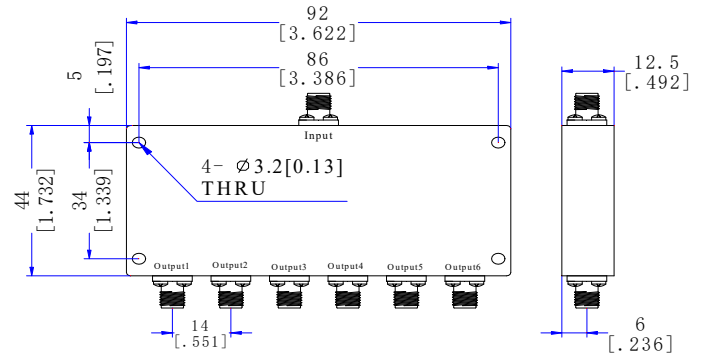
TMPD6-1M0020-2S

**1 to 200 MHz, 2W, SMA Female
6-WAY POWER DIVIDER**

Electrical Characteristics

FREQUENCY RANGE	1~200MHz
INSERTION LOSS	15.9dB max.
AMPLITUDE BALANCE	±0.3dB
PHASE BALANCE	±3 Deg.
VSWR(input port)	1.12 typ. & 1.2 max.
VSWR(output ports)	1.1 typ. & 1.2 max.
ISOLATION	14.6dB min.
IMPEDANCE	50 Ohms
POWER RATING	2W

Outline Drawing(mm[inch])



Mechanical and Environmental Characteristics

Dimensions	44×92×12.5mm
RF Connectors	SMA female
Surface Finishing	Black Paint
Operating Temperature	-35℃ ~ +75℃
Weight	135g