

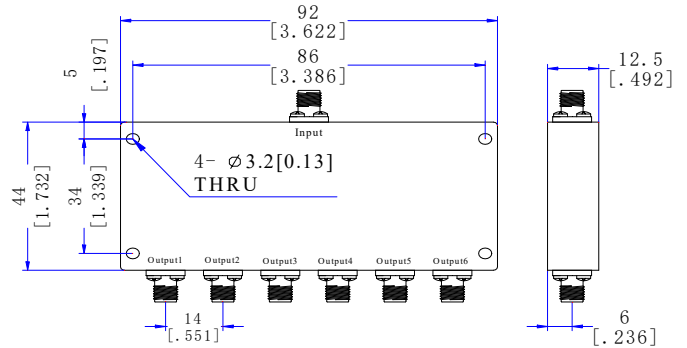
TMPD6-00000300-2S

DC to 3 GHz, 2W, SMA Female
6-WAY POWER DIVIDER

Electrical Characteristics

| | | |
|---------------------------|-------|----------------------|
| FREQUENCY RANGE | | DC~3000MHz |
| INSERTION LOSS | | 16dB max. |
| AMPLITUDE BALANCE | | ±0.5dB |
| PHASE BALANCE | | ±6 Deg. |
| VSWR(input port) | | 1.12 typ. & 1.2 max. |
| VSWR(output ports) | | 1.1 typ. & 1.2 max. |
| ISOLATION | | 6dB min. |
| IMPEDANCE | | 50 Ohms |
| POWER RATING | | 2W |

Outline Drawing(mm[inch])



Mechanical and Environmental Characteristics

| | | |
|------------------------------|-------|--------------|
| Dimensions | | 44×92×12.5mm |
| RF Connectors | | SMA female |
| Surface Finishing | | Black Paint |
| Operating Temperature | | -35°C~+75°C |
| Weight | | 135g |