

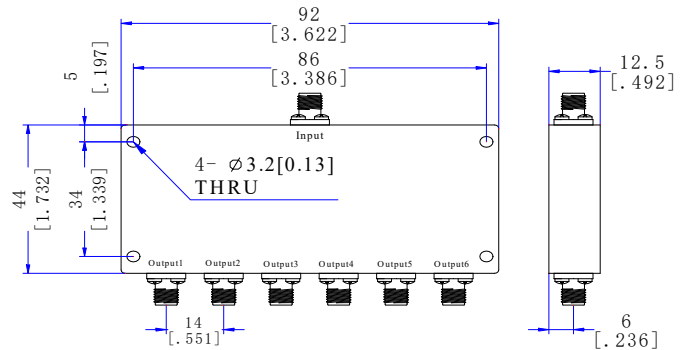
TMPD6-0000600-2S

DC to 6 GHz, 2W, SMA Female
6-WAY POWER DIVIDER

Electrical Characteristics

FREQUENCY RANGE	DC~6000MHz
INSERTION LOSS	17.0dB max.
AMPLITUDE BALANCE	±0.8dB
PHASE BALANCE	±9 Deg.
VSWR(input port)	1.15 typ. & 1.5 max.
VSWR(output ports)	1.15 typ. & 1.5 max.
ISOLATION	14.6dB min.
IMPEDANCE	50 Ohms
POWER RATING	2W

Outline Drawing(mm[inch])



Mechanical and Environmental Characteristics

Dimensions	44×92×12.5mm
RF Connectors	SMA female
Surface Finishing	Black Paint
Operating Temperature	-35℃~+75℃
Weight	135g