

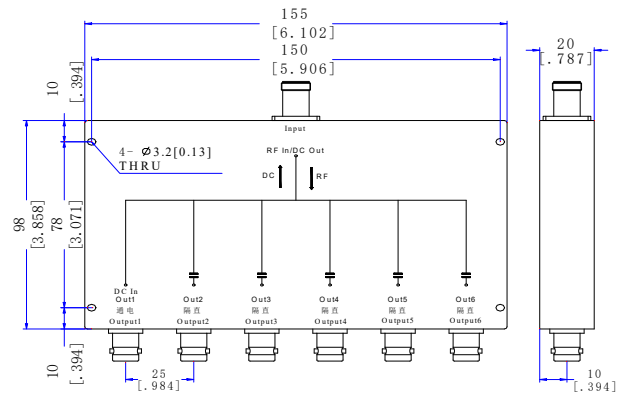
TMPD6-01100170-30TB

1.1 to 1.7 GHz, 30W, TNC(f)-BNC(f)
6-WAY POWER DIVIDER

Electrical Characteristics

FREQUENCY RANGE	1100~1700MHz
INSERTION LOSS	0.8dB max.
(excluding theoretical insertion loss 7.8dB)		
AMPLITUDE BALANCE	±0.5dB
PHASE BALANCE	±5 Deg.
VSWR(input port)	1.25 max.
VSWR(output ports)	1.2 max.
ISOLATION	25dB typ. & 20dB min.
IMPEDANCE	50 Ohms
POWER RATING(as a divider)	30W
POWER RATING(as a combiner)	2W

Outline Drawing(mm[inch])



Mechanical and Enviromental Characteristics

Dimensions	98×155×20mm
RF Connectors	TNC female(input) BNC female(outputs)
Surface Finishing	Black Paint
Operating Temperature	-35°C ~ +75°C
Weight	750g