

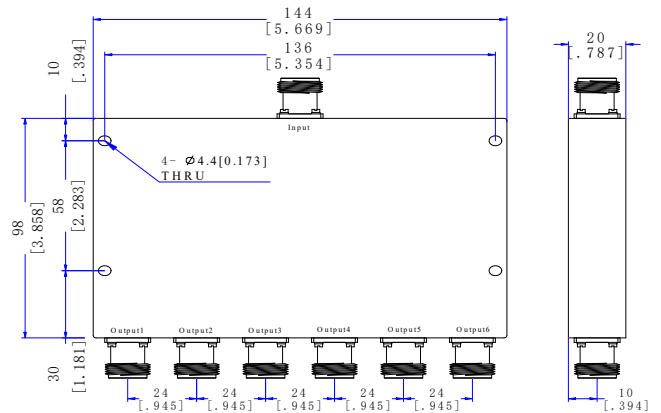
## TMPD6-02001800-20NA

**2 to 18 GHz, 20W, N Female  
6-WAY POWER DIVIDER**

### Electrical Characteristics

<b>FREQUENCY RANGE</b>	2000~18000MHz
<b>INSERTION LOSS</b>	3.0dB max. (excluding theoretical insertion loss 7.8dB)
<b>AMPLITUDE BALANCE</b>	±0.6dB
<b>PHASE BALANCE</b>	±6 Deg.
<b>VSWR(input port)</b>	1.28 typ. & 1.7 max.
<b>VSWR(output ports)</b>	1.2 typ. & 1.6 max.
<b>ISOLATION</b>	24dB typ. & 18dB min.
<b>IMPEDANCE</b>	50 Ohms
<b>POWER RATING(as a divider)</b>	20W
<b>POWER RATING(as a combiner)</b>	1W

### Outline Drawing(mm[inch])



### Mechanical and Environmental Characteristics

<b>Dimensions</b>	98×144×20mm
<b>RF Connectors</b>	N female
<b>Surface Finishing</b>	Black Paint
<b>Operating Temperature</b>	-35°C ~ +75°C