

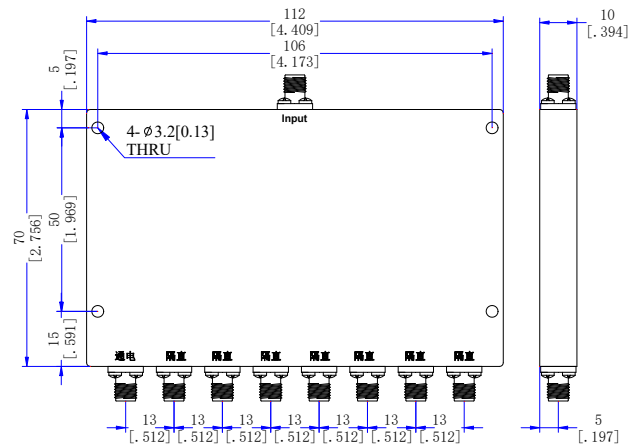
TMPD8-00950215-30S

**0.95 to 2.15 GHz, 30W, SMA Female
 8-WAY POWER DIVIDER**

Electrical Characteristics

| | |
|--|-----------------------|
| FREQUENCY RANGE | 950~2150MHz |
| INSERTION LOSS | 1.0dB max. |
| (excluding theoretical insertion loss 9.0dB) | |
| AMPLITUDE BALANCE | ±0.3dB |
| PHASE BALANCE | ±3 Deg. |
| VSWR(input port) | 1.16 typ. & 1.2 max. |
| VSWR(output ports) | 1.12 typ. & 1.2 max. |
| ISOLATION | 26dB typ. & 20dB min. |
| IMPEDANCE | 50 Ohms |
| POWER RATING(as a divider) | 30W |
| POWER RATING(as a combiner) | 2W |

Outline Drawing(mm[inch])



Mechanical and Environmental Characteristics

| | |
|------------------------------------|---------------|
| Dimensions | 112×70×10mm |
| RF Connectors | SMA female |
| Surface Finishing | Black Paint |
| Operating Temperature | -40°C ~ +85°C |
| Weight | 190g |