

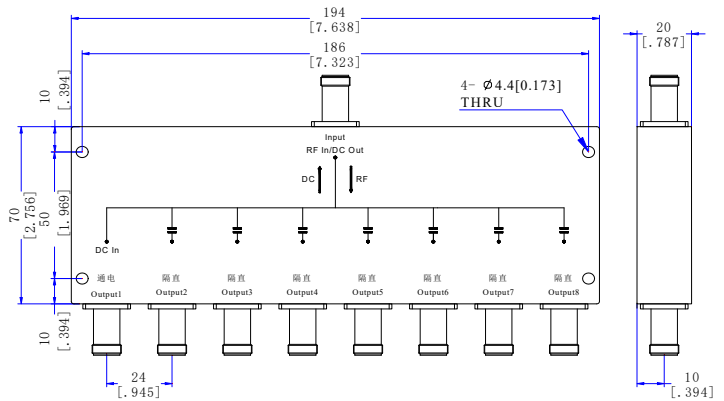
TMPD8-01100170-30T

1.1 to 1.7 GHz, 30W, TNC Female
 8-WAY POWER DIVIDER

Electrical Characteristics

FREQUENCY RANGE	1100~1700MHz
INSERTION LOSS	1.0dB max. (excluding theoretical insertion loss 9.0dB)
AMPLITUDE BALANCE	±0.2dB
PHASE BALANCE	±3 Deg.
VSWR(input port)	1.18 typ. & 1.25 max.
VSWR(output ports)	1.18 typ. & 1.2 max.
ISOLATION	30dB min.
IMPEDANCE	50 Ohms
POWER RATING(as a divider)	30W
POWER RATING(as a combiner)	2W

Outline Drawing(mm[inch])



Mechanical and Environmental Characteristics

Dimensions	70×192×20mm
RF Connectors	TNC female
Surface Finishing	Black Paint
Operating Temperature	-40°C ~ +80°C
Weight	700g