

Product Features

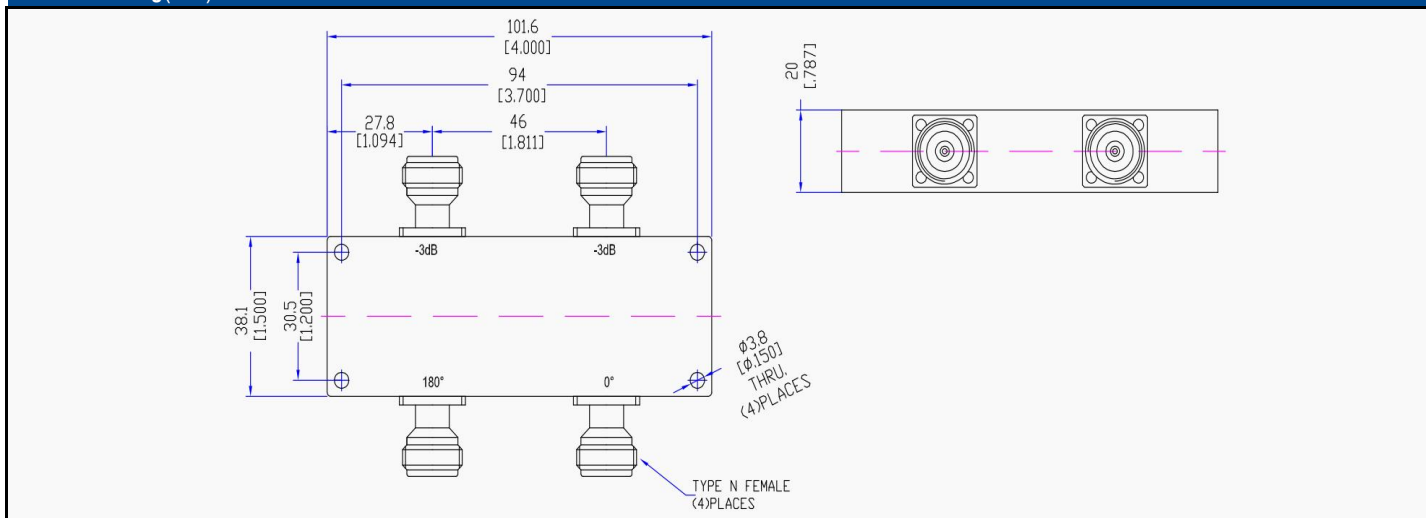
- High power handling up to 128W
- Wide band operation
- Functional Bandwidth : 1GHz to 1.5GHz
- High isolation within operational band
- Low Insertion Loss
- Stable performance over temperature
- High peak to average handling capability



SPECIFICATIONS

Frequency Range	1000~1500MHz	
Nominal Split	3.01dB	
Insertion Loss	0.4dB max.	
Isolation	20dB min.	
Amplitude Balance	±0.3dB max.	
Phase Balance	±3 Deg. max.	
VSWR	1.2 max.	
Power Handling	Average	128W
	Peak	2kW
Impedance	50 Ohms	
RF Connectors	N Female	
Surface Finishing	Black Paint / Blue Paint	
Operating Temp.	-55°C~ +85°C	
Dimensions	101.6×38.1×20mm	
Weight	270g	

Outline Drawing(mm)



Outline Tolerances ±0.5mm (0.02inch)