

## Product Features

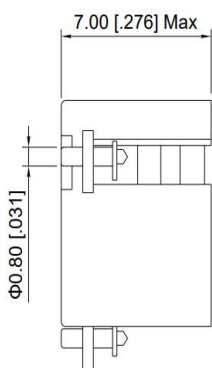
- Power handling up to 30W
- Low Insertion Loss
- High isolation within operational band
- Custom design available upon request
- SMT Connector type
- Operating temperature range -40°C ~ +85°C



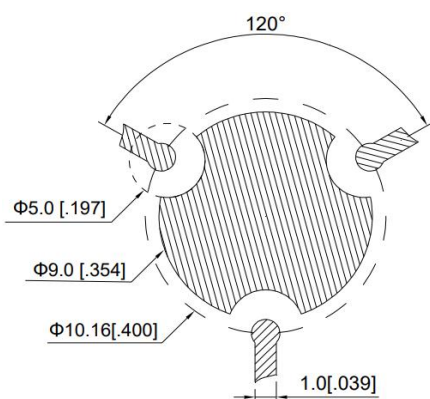
## SPECIFICATIONS

Outline Drawing(mm[inch])	Model Number	Frequency Range (MHz)	Insertion Loss (dB. max.)	Isolation (dB. min.)	VSWR (max.)	Forward Power (W)	Reverse Power (W)	
<b>Front View</b> 	<b>TSMC9870-02500269-30</b>	2496~2690	0.3	21	1.2	30	30	
	<b>TSMC9870-03200340-30</b>	3200~3400	0.3	21	1.2	30	30	
	<b>TSMC9870-03300360-30</b>	3300~3600	0.35	20	1.25	30	30	
	<b>TSMC9870-03400360-30</b>	3400~3600	0.3	21	1.2	30	30	
	<b>TSMC9870-04700500-30</b>	4700~5000	0.3	21	1.2	30	30	
	<b>TSMC9870-04800500-30</b>	4800~5000	0.3	21	1.2	30	30	
	<b>TSMC9870-05000550-30</b>	5000~5500	0.4	20	1.25	30	30	
	<b>TSMC9870-05000600-30</b>	5000~6000	0.5	18	1.3	30	30	
	<b>TSMC9870-05500600-30</b>	5500~6000	0.4	20	1.25	30	30	
	<b>TSMC9870-05700590-30</b>	5700~5900	0.3	21	1.2	30	30	

### Side View



### Back View



**TSMC9870 Series**