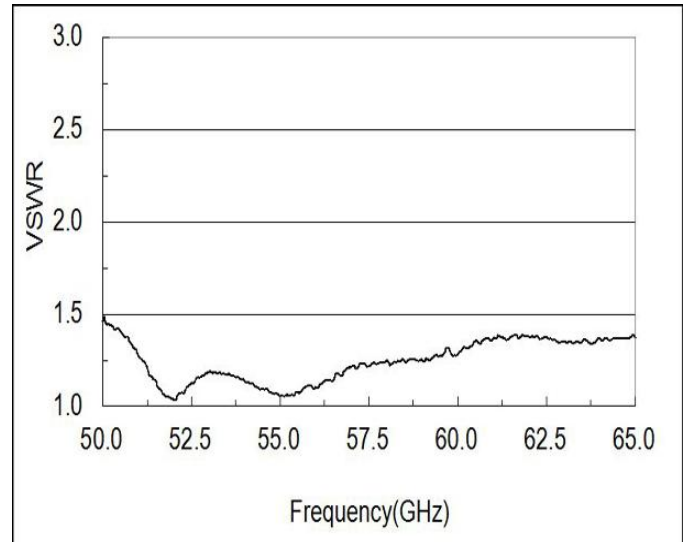




Product Features

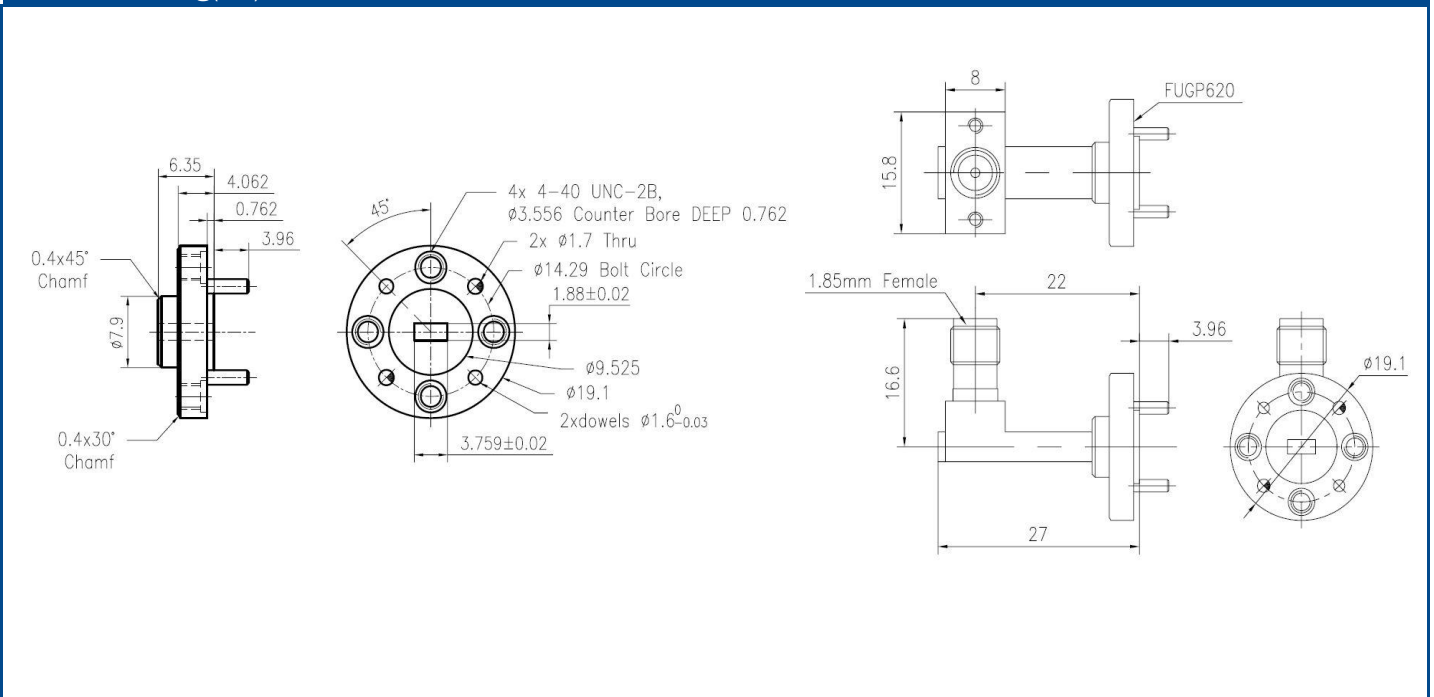
- High RF performance and Competitive price
- Titan Microwave offers a standard product line of waveguide to coax adapters covering waveguide sizes WR10 thru WR2300
- This adaptor has been developed for laboratory and industrial applications up to 3 W at 75.5 GHz
- Rugged and Reliable
- Additional sizes and configurations available upon request

Performance Chart



RF Characteristics	
Frequency Range	49800~75500MHz
Insertion Loss	1.0dB max.
VSWR	2.0 max
Waveguide Connector	WR15(BJ620)
RF Connector	1.85mm female
Flange	FUGP620
Maximum Power	3W in continuous wave(CW) 100W peak power
Material	Cu
Operating Temperature	-55°C ~ +85°C

Outline Drawing(mm)



Outline Tolerances ± 0.5 mm (0.02inch)