

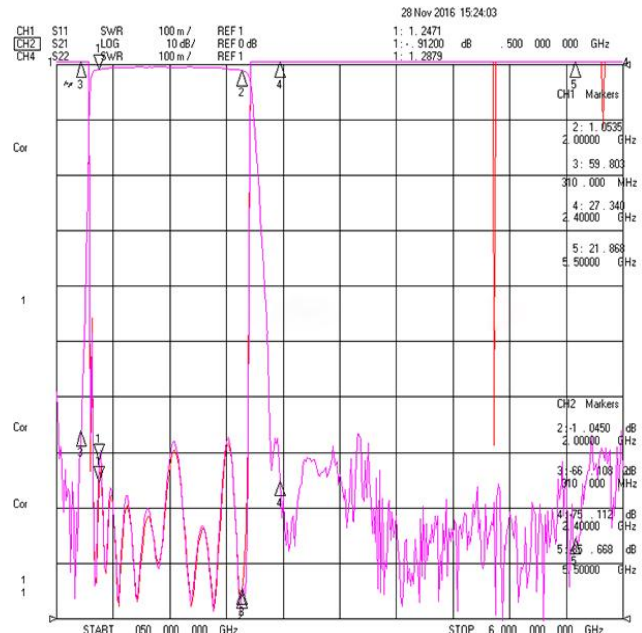


Product Features

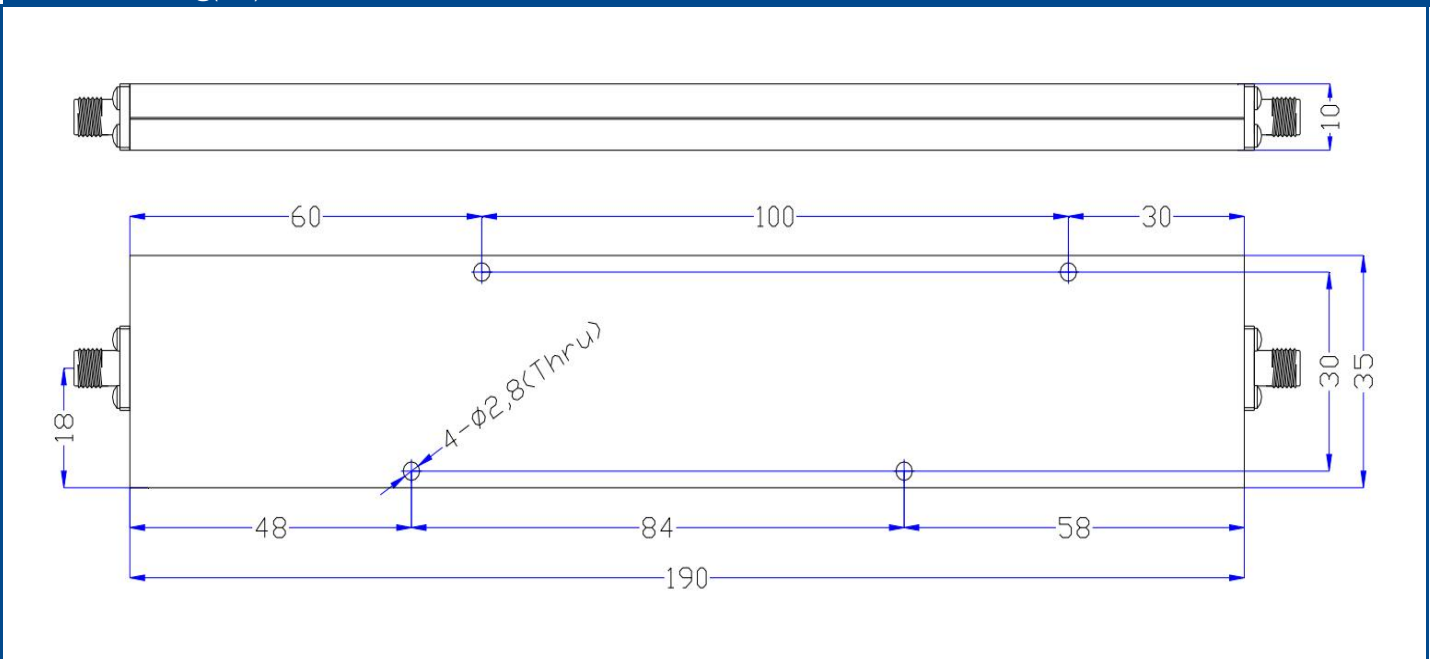
- High Rejection
- Low Insertion Loss
- SMA Connector
- Other center frequencies and bandwidths are available. Please consult the factory.

RF Characteristics	
Operating Frequency	500~2000MHz
Insertion Loss	2.0dB max.
VSWR	1.8 max.; 1.5 typ.
Stopband Attenuation	60dB min@DC~310MHz 60dB min@2400~5500MHz
Impedance	50 Ohms
Power	5W
RF Connector	SMA female
Surface Finish	Black Paint
Operating Temperature	-30°C ~ +70°C
Net Weight	170g

Performance Chart



Outline Drawing(mm)



Outline Tolerances $\pm 0.5\text{mm}$ (0.02inch)