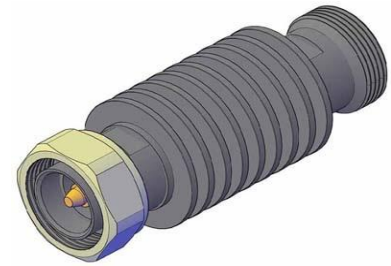
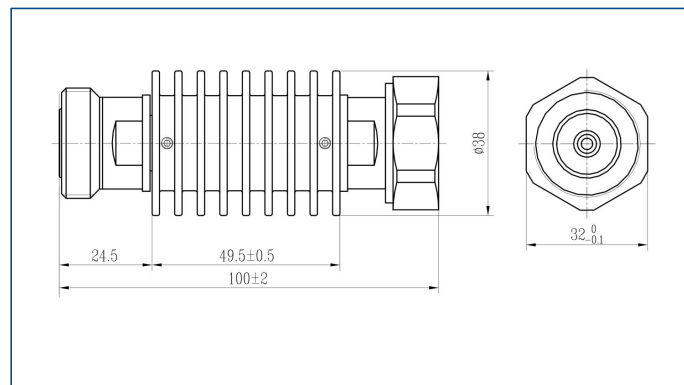


**SPECIFICATIONS**

Frequency Range:	DC~4GHz
Input Avg Power:	10W@25°C
Peak Power:	500W(5us Pulse Width, 0.4% duty cycle)
Impedance:	50 Ohms
Attenuation:	1~50dB
VSWR:	1.25 max.
Temp Coefficient:	<0.0004dB/dB/°C
Direction:	Bidirectional DIN 7/16 male to DIN 7/16 female (other configurations available on request)
Operating Temp.:	-55°C~+100°C
Connector Body:	Ternary alloy plated brass
Female Center Contact:	Gold plated bronze
Male Center Contact:	Gold plated brass
Heat Sink:	Black anodized aluminum
Net Weight:	150g
RoHS Status:	RoHS Compliant



**Dimensions[mm]**



**Maximum Deviation over Frequency(DC~4GHz):**

Nominal ATTN(dB)	Deviation(dB)
1~10	±0.4
20	±0.5
30	±0.7
40~50	±0.8

**Ordering Information**

<b>TMFA</b>	<b>4</b>	<b>D</b>	<b>10</b>	<b>-</b>	<b>XX</b>
Attenuation dB value					
Average Power(W)					
RF Connector (D:DIN 7/16 male to DIN 7/16 female)					
Maximum Frequency(GHz)					
Titan Microwave Fixed Attenuator					