



Datasheet

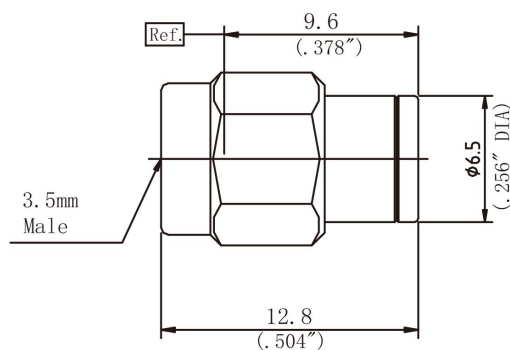
Model Number : TMT272M

DC~27GHz, 2W, 3.5mm Male Coaxial Termination

Specifications

Frequency Range	DC-27GHz
Input Avg Power	2W@25deg. C
Peak Power	250W (5μsec pulse width, 0.4%duty cycle)
VSWR	1.2 max.
Impedance	50 Ohms
Connector	3.5mm Male
Connector Body	Passivated stainless steel
Center Contact	Gold plated beryllium copper
Operating Temperature	-55~+100deg. C
Storage Temperature	-55~+125deg. C
Heat Sink	N/A
RoHS Status	RoHS Compliant

Dimensions[mm]:



Typical Test Curve

