



Datasheet

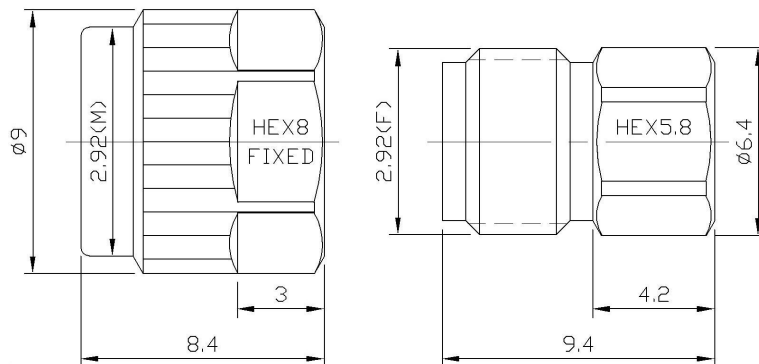
Model Number : TMT402M

DC~40GHz, 2W, 2.92mm Male Coaxial Termination

Specifications

Frequency Range	DC-40GHz
Input Avg Power	2W@25deg. C
Peak Power	200W (5μsec pulse width, 1%duty cycle)
VSWR	1.23 max.
Impedance	50 Ohms
Connector	2.92mm Male
Connector Body	Passivated stainless brass
Center Contact	Gold plated beryllium copper(≥1.27μm)
Operating Temperature	-55~+100deg. C
Storage Temperature	-55~+125deg. C
Heat Sink	N/A
RoHS Status	RoHS Compliant

Dimensions[mm]:



Typical Test Curve

