

Datasheet

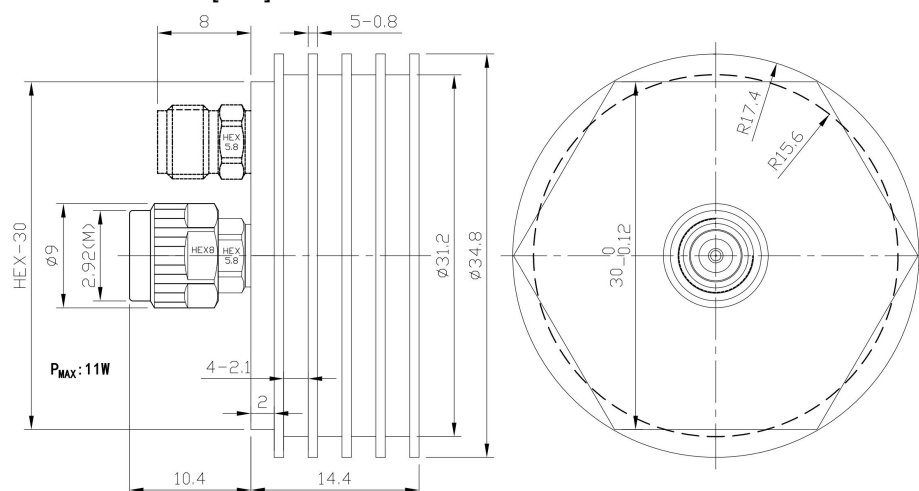
Model Number : TMT4010F

DC~40GHz, 10W, 2.92mm Female Coaxial Termination

Specifications

Frequency Range	DC-40GHz
Input Avg Power	10W @25deg. C
Peak Power	200W (5μsec pulse width, 3% duty cycle)
VSWR	1.26 max.
Impedance	50 Ohms
Connector	2.92mm Female
Connector Body	Passivated stainless brass
Center Contact	Gold plated beryllium copper(≥1.27um)
Operating Temperature	-55~+100deg. C
Storage Temperature	-55~+125deg. C
Heat Sink	Black anodized aluminum
RoHS Status	RoHS Compliant

Dimensions[mm]:



Typical Test Curve

