



Datasheet

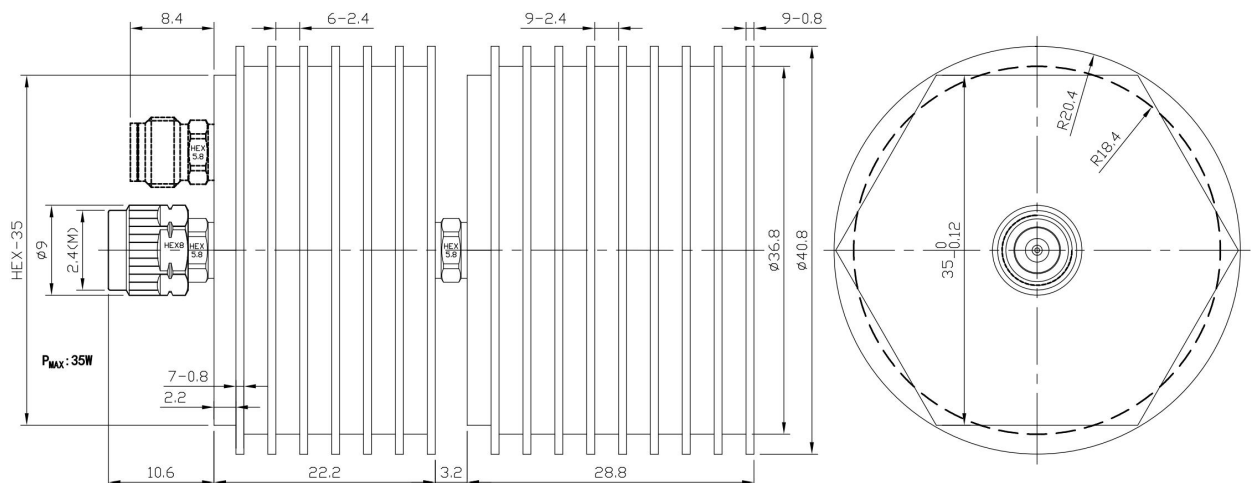
Model Number : TMT5035F

DC~50GHz, 35W, 2.4mm Female Coaxial Termination

Specifications

| | |
|-----------------------|---|
| Frequency Range | DC-50GHz |
| Input Avg Power | 35W @25deg. C |
| Peak Power | 100W (5μsec pulse width, 10% duty cycle) |
| VSWR | 1.38 max. |
| Impedance | 50 Ohms |
| Connector | 2.4mm Female |
| Connector Body | Passivated stainless steel |
| Center Contact | Gold plated beryllium copper(≥1.27um) |
| Operating Temperature | -55~+100deg. C |
| Storage Temperature | -55~+125deg. C |
| Heat Sink | Black anodized aluminum |
| RoHS Status | RoHS Compliant |

Dimensions[mm]:



Typical Test Curve

