

## Datasheet

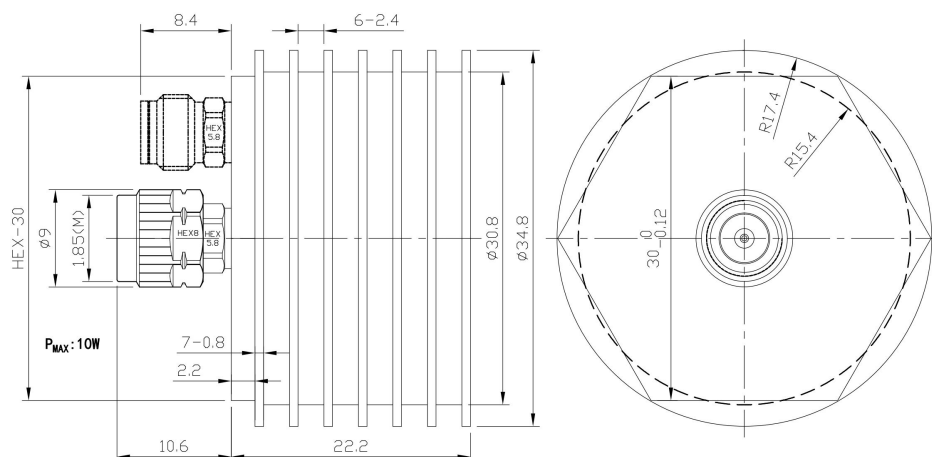
Model Number : TMT6710F

# DC~67GHz, 10W, 1.85mm Female Coaxial Termination

## Specifications

Frequency Range	DC-67GHz
Input Avg Power	10W @25deg. C
Peak Power	50W (5μsec pulse width, 6% duty cycle)
VSWR	1.45 max.
Impedance	50 Ohms
Connector	1.85mm Female
Connector Body	Passivated stainless steel
Center Contact	Gold plated beryllium copper(≥1.27um)
Operating Temperature	-55~+100deg. C
Storage Temperature	-55~+125deg. C
Heat Sink	Black anodized aluminum
RoHS Status	RoHS Compliant

Dimensions[mm]:



## Typical Test Curve

