



Datasheet

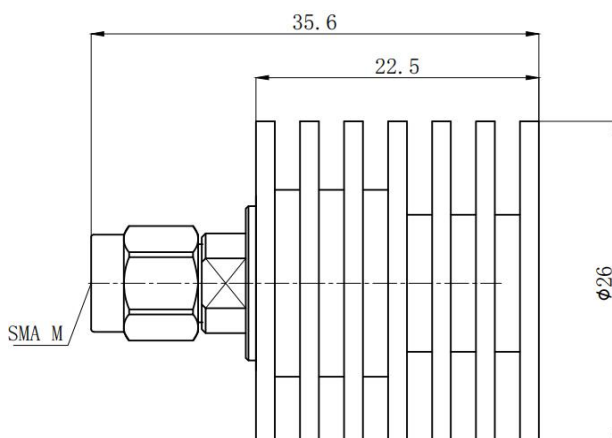
Model Number : TMT1810SM-NBA

DC~18GHz, 10W, SMA Male Coaxial Termination

Specifications

Frequency Range	DC-18GHz
Input Avg Power	10W @25deg. C
Peak Power	500W (5μsec pulse width, 1% duty cycle)
VSWR	1.2 max.
Impedance	50 Ohms
Connector	SMA Male
Connector Body	Nickel plated brass
Center Contact	Gold plated brass
Operating Temperature	-55~+100deg. C
Storage Temperature	-55~+125deg. C
Heat Sink	Black anodized aluminum
RoHS Status	RoHS Compliant

Dimensions[mm]:



Typical Test Curve

