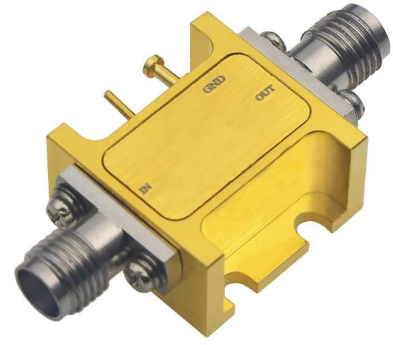


SPECIFICATIONS

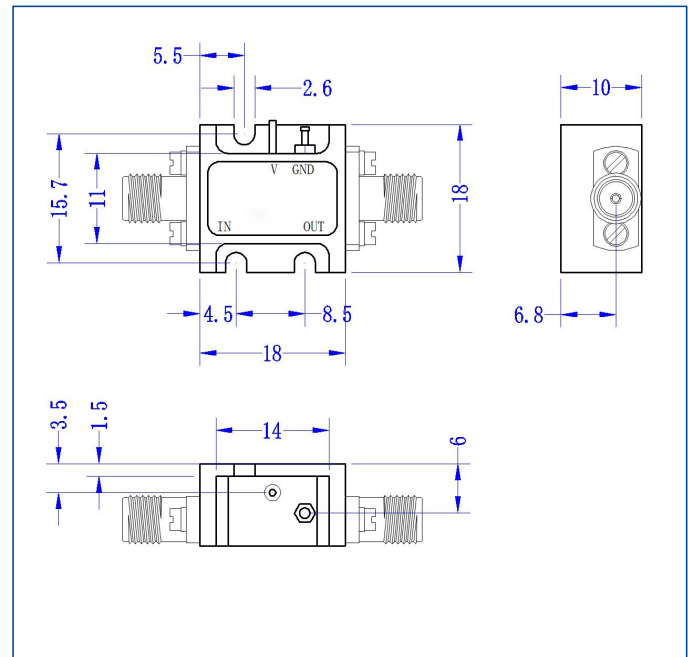
Frequency Range:	800~2500 MHz
Gain	32dB min.
Gain Flatness	±1.5dB typ.
Noise Figure	0.6dB typ.
VSWR	1.8 typ.
Output Power(P-1dB)	15dBm min.
Impedance	50Ω
Supply Voltage	+12V
Supply Current	150mA
Operating Temp.	-40°C~+70°C
RF Connectors	SMA Female removable (0.38mm pin)



Typical Performances

Freq. (MHz)	VSWR (S11)	VSWR (S22)	Small-Signal Gain (S21) dB	Power Output @1dB Compression (S21) dBm	Noise Figure (@25°C) dB
Unit	:1	:1	dB	dBm	dB
500	1.66	1.79	34.82	15.98	1.03
643	1.53	1.34	35.79	19.05	0.48
786	1.47	1.26	35.97	19.06	0.34
929	1.44	1.36	36.22	18.98	0.43
1071	1.38	1.46	36.22	18.85	0.55
1214	1.32	1.51	36.13	18.72	0.5
1357	1.32	1.52	36.22	18.58	0.59
1500	1.37	1.49	36.13	18.5	0.6
1643	1.45	1.42	36.11	18.41	0.59
1786	1.54	1.31	36.00	18.36	0.53
1929	1.62	1.18	35.69	18.35	0.46
2071	1.69	1.03	35.5	18.36	0.41
2214	1.75	1.14	35.07	18.3	0.39
2357	1.78	1.35	34.63	18.28	0.4
2500	1.79	1.63	34.02	18.3	0.51

Dimensions[mm]



50 Ohm Typical Characteristics

