

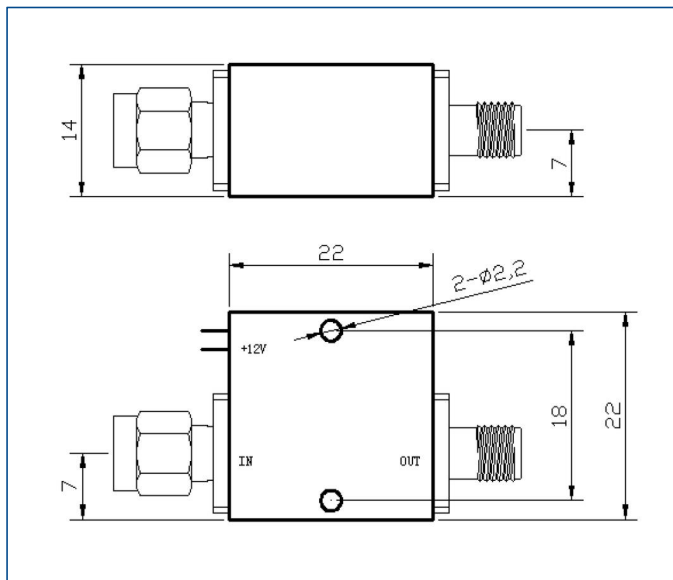
## SPECIFICATIONS

Frequency Range:	1000~18000 MHz
Gain	30dB min.
Gain Flatness	±2dB max.
Noise Figure	3dB max.
VSWR	2.0 max.
Output Power(P-1dB)	15dBm min.
Impedance	50Ω
Supply Voltage	+12V
Supply Current	300mA
Operating Temp.	-40°C~+70°C
Input Port Connectors	SMA male to SMA female

## Typical Performances

Freq. (GHz)	VSWR (S11)	VSWR (S22)	Small-Signal Gain (S21)	@1dB Compression (S21)	Noise Figure (@25°C)
Unit	:1	:1	dB	dBm	dB
1	1.37	1.29	35.38	21.4	2.44
2	1.3	1.37	34.8	21	2.39
4	1.55	1.12	34.34	20.2	2.32
5	1.5	1.15	34.24	20.8	2.24
6	1.56	1.16	34.18	20.9	2.34
7	1.71	1.32	34.01	20.6	2.27
9	1.53	1.6	34.7	20.3	2.29
10	1.44	1.46	35.1	20.8	2.21
11	1.62	1.33	35.39	20.4	2.18
13	1.67	1.26	35.75	20.4	2.29
14	1.84	1.22	35.55	20.8	2.33
15	1.81	1.33	35.75	21.3	2.39
16	1.57	1.38	35.87	21.8	2.36
18	1.82	1.53	35.85	22.1	2.44
19	2.46	1.09	35.8	20.3	2.38

## Dimensions[mm]



## 50 Ohm Typical Characteristics

