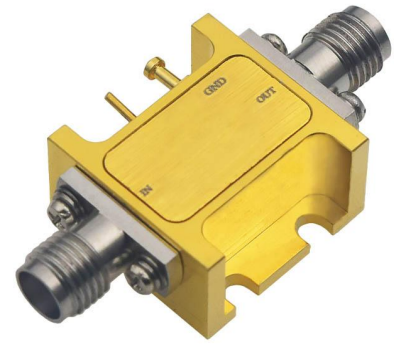


**SPECIFICATIONS**

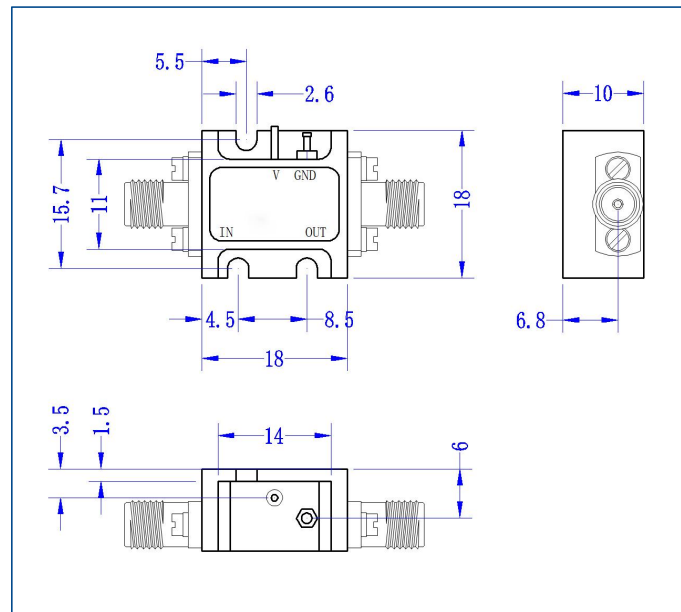
|                     |                |
|---------------------|----------------|
| Frequency Range:    | 6000~18000 MHz |
| Gain                | 25dB min.      |
| Gain Flatness       | ±4.6dB max.    |
| Noise Figure        | 2dB max.       |
| VSWR                | 2.0 max.       |
| Output Power(P-1dB) | 10dBm min.     |
| Impedance           | 50Ω            |
| Supply Voltage      | +12V           |
| Supply Current      | 100mA          |
| Operating Temp.     | -30°C~+70°C    |
| RF Connectors       | SMA Female     |



**Typical Performances**

| Freq. (GHz) | VSWR (S11) | VSWR (S22) | Small-Signal Gain (S21) dB | Power Output @1dB Compression (S21) dBm | Noise Figure dB |
|-------------|------------|------------|----------------------------|---|-----------------|
| Unit        | :1         | :1         | dB                         | dBm                                     | dB              |
| 5.6         | 1.38       | 1.44       | 26.2                       | 11.2                                    | 1.67            |
| 7.2         | 1.3        | 1.73       | 25.3                       | 11.8                                    | 1.6             |
| 8.8         | 1.07       | 1.51       | 25.4                       | 13.1                                    | 1.61            |
| 10.4        | 1.32       | 1.23       | 26.1                       | 14.1                                    | 1.62            |
| 12          | 1.54       | 1.27       | 26.2                       | 14.8                                    | 1.77            |
| 13.6        | 1.49       | 1.65       | 27.2                       | 14.4                                    | 1.77            |
| 15.2        | 1.24       | 1.54       | 28.3                       | 14.5                                    | 1.84            |
| 16.8        | 1.3        | 1.2        | 29                         | 13.3                                    | 1.9             |
| 18.4        | 1.9        | 2.4        | 29.6                       | 11.4                                    | 1.95            |

**Dimensions[mm]**



**50 Ohm Typical Characteristics**

