

## SPECIFICATIONS

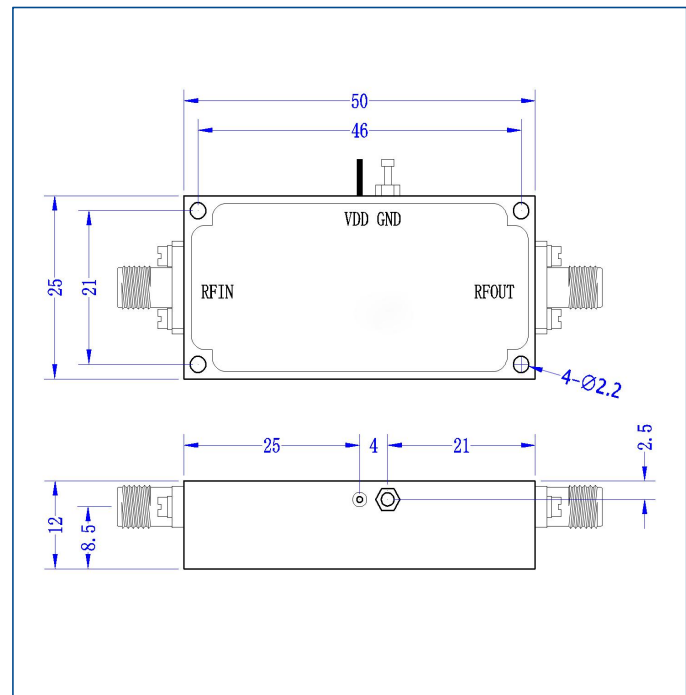
Frequency Range:	400~8000 MHz
Gain	20dB min.
Noise Figure	2.5dB max. / 1.8dB typ.
VSWR	2.2 max. / 1.7 typ.
Input Power	10dBm max.
Output Power(P-1dB)	10dBm min. / 14dBm typ.
Impedance	50Ω
Supply Voltage	+12V
Supply Current	150mA
Operating Temp.	-40°C~+70°C
RF Connectors	SMA Female



## Typical Performances

Freq. (MHz)	VSWR (S11)	VSWR (S22)	Small-Signal Gain (S21)	Power Output @1dB Compression (S21)	Noise Figure
Unit	:1	:1	dB	dBm	dB
200	1.09	1.14	28.4	17.1	1.22
1000	1.3	1.49	27.7	16.9	1.28
1800	1.66	1.61	27.2	16.5	1.34
2600	1.82	1.39	26.9	17.3	1.29
3400	1.73	1.54	28.9	16.4	1.37
4200	1.54	1.74	27.7	16	1.47
5000	1.17	1.15	28.5	15	1.45
5800	1.14	1.12	28.6	14.5	1.44
6600	1.22	1.48	28.7	14.4	1.57
7400	1.33	1.62	28.8	12.5	1.68
8200	1.65	1.7	28.9	11.2	2

## Dimensions[mm]



## 50 Ohm Typical Characteristics

