

SPECIFICATIONS

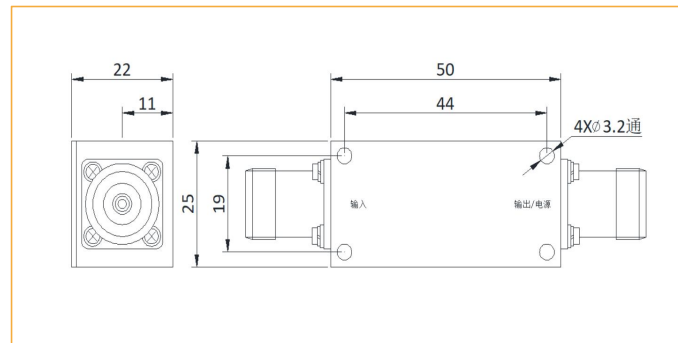
| | |
|---------------------|-------------------------|
| Frequency Range: | 960~1215 MHz |
| Gain | 20dB min. |
| Gain Flatness | ±1dB max. |
| Noise Figure | 1.1dB max. / 0.8dB typ. |
| VSWR | 1.8 max. |
| Output Power(P-1dB) | 17dBm min. |
| Impedance | 50Ω |
| Supply Voltage | +12V |
| Supply Current | 100mA |
| Operating Temp. | -20°C~+50°C |
| RF Connectors | N Female |



Typical Performances

| Freq. (MHz) | VSWR (S11) | VSWR (S22) | Small-Signal Gain (S21) | Power Output @1dB Compression (S21) | Noise Figure (@25°C) |
|-------------|------------|------------|-------------------------|-------------------------------------|----------------------|
| Unit | :1 | :1 | dB | dBm | dB |
| 900 | 1.71 | 1.33 | 21.9 | 18.1 | 0.48 |
| 940 | 1.7 | 1.29 | 21.8 | 18.8 | 0.41 |
| 980 | 1.7 | 1.8 | 21.7 | 18.8 | 0.34 |
| 1020 | 1.72 | 1.26 | 21.6 | 18.9 | 0.35 |
| 1060 | 1.72 | 1.22 | 21.5 | 19.1 | 0.34 |
| 1100 | 1.71 | 1.19 | 21.5 | 19.1 | 0.42 |
| 1140 | 1.72 | 1.67 | 21.4 | 19.1 | 0.51 |
| 1180 | 1.72 | 1.13 | 21.1 | 19.1 | 0.62 |
| 1220 | 1.72 | 1.12 | 21.1 | 19.0 | 0.69 |
| 1260 | 1.72 | 1.13 | 20.7 | 19.1 | 0.74 |
| 1300 | 1.71 | 1.18 | 20.2 | 19.0 | 0.81 |

Dimensions[mm]



50 Ohm Typical Characteristics

