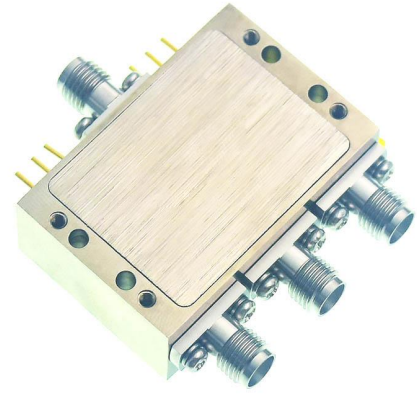


SPECIFICATIONS

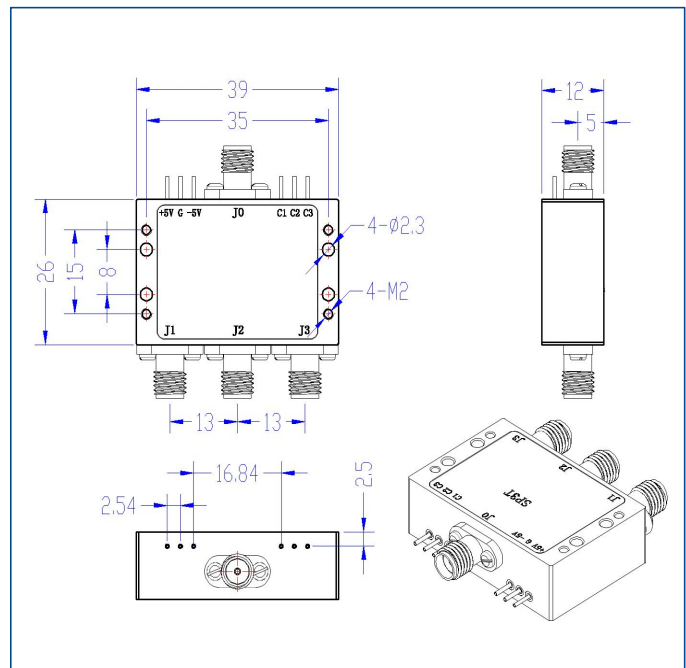
Frequency Range:	6000~18000 MHz
Impedance	50Ω
VSWR	2.0 max. / 1.8 typ.
Insertion Loss	2.6dB max. / 1.8dB typ.
Isolation	60dB min. / 70dB typ.
Switch type	Absorptive, SP3T
Switching Time	100nS
RF Input Power(CW)	0.2 Watts
Supply Voltage	±5V
Current	30mA
Operating Temp.	-40°C~+85°C
TTL Control Connector	Solder Pin
Connector Type	Field Replaceable SMA Female (0.38mm Pin)



50 Ohm Typical Characteristics

Frequency GHz	VSWR (S00) :1	VSWR (S11) :1	Loss (S01) dB	Loss (S02) dB	Loss (S03) dB	Isolation (S12) dB
5	1.28	1.46	-1.47	-1.26	-1.38	-83.45
6	1.17	1.35	-1.51	-1.35	-1.41	-86.4
7	1.07	1.21	-1.6	-1.5	-1.52	-86.51
8	1.04	1.16	-1.7	-1.65	-1.66	-86.56
9	1.16	1.2	-1.85	-1.8	-1.81	-85.43
10	1.31	1.3	-2.03	-1.94	-1.97	-84.12
11	1.46	1.43	-2.16	-2.12	-2.11	-82.72
12	1.54	1.56	-2.27	-2.14	-2.31	-82.44
13	1.34	1.31	-2.21	-2.1	-2.16	-79.86
14	1.5	1.33	-2.5	-2.4	-2.38	-73.52
15	1.59	1.17	-2.64	-2.6	-2.57	-73.11
16	1.62	1.38	-2.84	-2.62	-2.67	-74.45
17	1.69	1.66	-2.81	-2.61	-2.69	-73.02
18	1.42	1.21	-2.95	-2.84	-2.92	-71.74
19	2.08	1.92	-3.6	-3.05	-4.04	-69.57

Dimensions[mm]



Typical Test Curve

