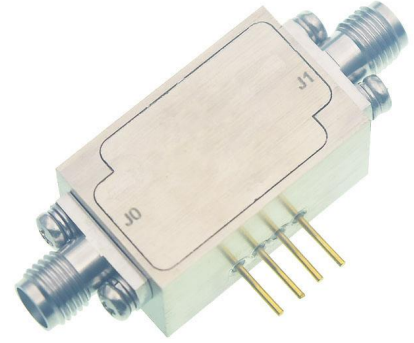


SPECIFICATIONS

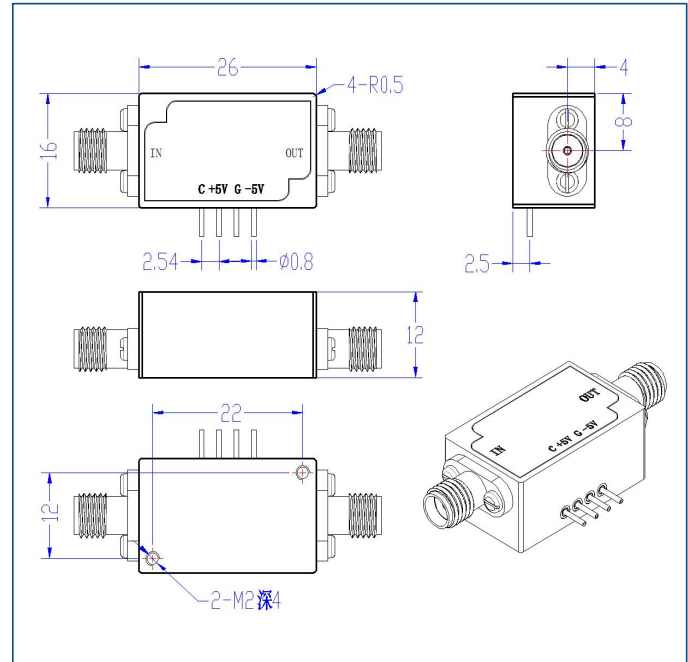
Frequency Range:	20~3000 MHz
Impedance	50Ω
VSWR	1.5 max. / 1.3 typ.
Insertion Loss	2.0dB max. / 1.5dB typ.
Isolation	60dB min. / 80dB typ.
Switch type	Absorptive, SP1T
Switching Time	100nS
RF Input Power(CW)	0.2 Watts
Supply Voltage	±5V
Current	30mA
Operating Temp.	-40°C~+85°C
TTL Control Connector	Solder Pin [0-on 1-off]
Connector Type	Field Replaceable SMA Female (0.38mm Pin)



50 Ohm Typical Characteristics

Frequency	VSWR (S11)	VSWR (S22)	Loss (S21)	Isolation (S22)
MHz	:1	:1	dB	dB
10	1.28	1.41	-3.44	-84.86
295	1.14	1.16	-0.64	-84.81
580	1.17	1.19	-0.69	-86.27
865	1.19	1.22	-0.75	-86.58
1150	1.2	1.24	-0.79	-84.82
1435	1.19	1.23	-0.84	-87.63
1720	1.16	1.22	-1.04	-87.05
2005	1.15	1.23	-1.13	-88.8
2290	1.14	1.22	-1.02	-87.9
2575	1.13	1.21	-1.03	-87.4
2860	1.12	1.21	-1.13	-88.35
3145	1.11	1.2	-1.21	-86.72
3430	1.09	1.2	-1.29	-87.65
3715	1.11	1.2	-1.41	-87.79
4000	1.15	1.22	-1.58	-85.96

Dimensions[mm]



Typical Test Curve

