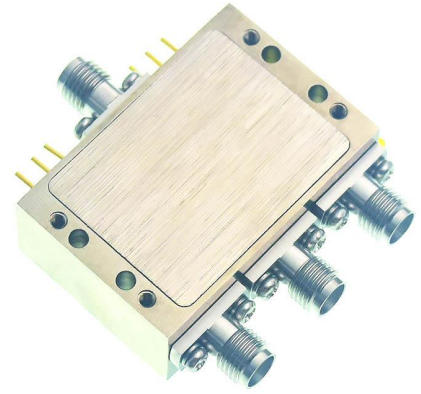


SPECIFICATIONS

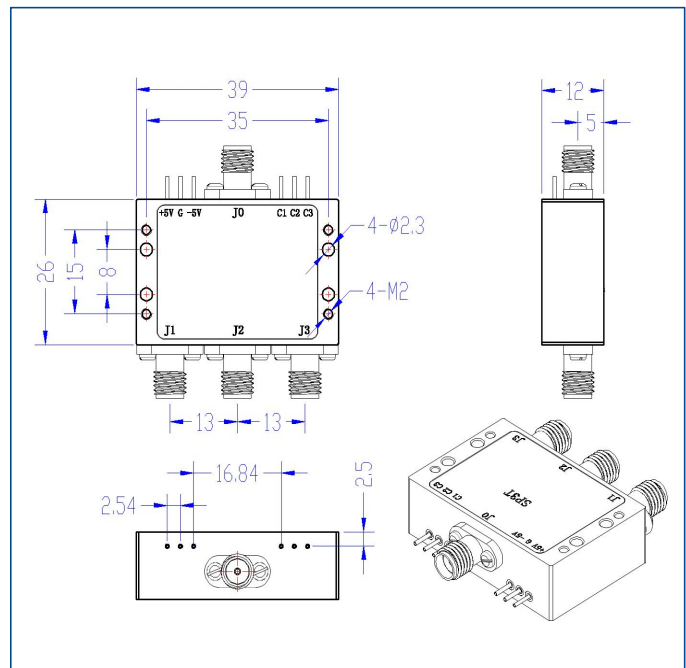
Frequency Range:	2000~6000 MHz
Impedance	50Ω
VSWR	1.7 max. / 1.5 typ.
Insertion Loss	1.6dB max. / 1.2dB typ.
Isolation	60dB min. / 80dB typ.
Switch type	Absorptive, SP3T
Switching Time	100nS
RF Input Power(CW)	0.2 Watts
Supply Voltage	±5V
Current	30mA
Operating Temp.	-40°C~+85°C
TTL Control Connector	Solder Pin
Connector Type	Field Replaceable SMA Female (0.38mm Pin)



50 Ohm Typical Characteristics

Frequency MHz	VSWR (S00)	VSWR (S11)	Loss (S01) dB	Loss (S02) dB	Loss (S03) dB	Isolation (S12) dB
1000	1.6	1.61	-0.98	-1.11	-0.97	-86.29
1429	1.31	1.34	-0.82	-0.93	-0.79	-85.5
1857	1.13	1.23	-0.84	-0.91	-0.81	-88.18
2286	1.05	1.22	-0.86	-0.85	-0.84	-86.78
2714	1.1	1.25	-0.91	-0.89	-0.90	-89.12
3143	1.14	1.29	-1.00	-0.95	-0.99	-87.61
3571	1.15	1.32	-1.06	-0.96	-1.06	-88.59
4000	1.17	1.36	-1.14	-1.00	-1.15	-86.26
4429	1.2	1.42	-1.11	-1.12	-1.11	-86.61
4857	1.23	1.46	-1.29	-1.16	-1.3	-86.56
5286	1.24	1.48	-1.30	-1.17	-1.31	-86.51
5714	1.23	1.47	-1.29	-1.22	-1.28	-87.05
6143	1.22	1.42	-1.31	-1.28	-1.29	-88.25
6571	1.21	1.36	-1.39	-1.31	-1.36	-87.44
7000	1.24	1.32	-1.37	-1.41	-1.36	-83.99

Dimensions[mm]



Typical Test Curve

