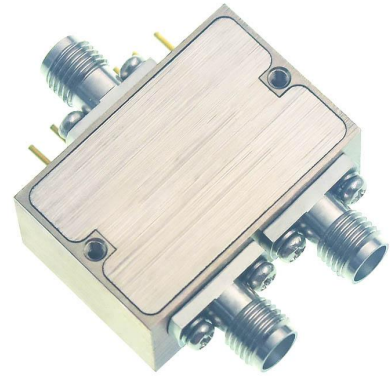


**SPECIFICATIONS**

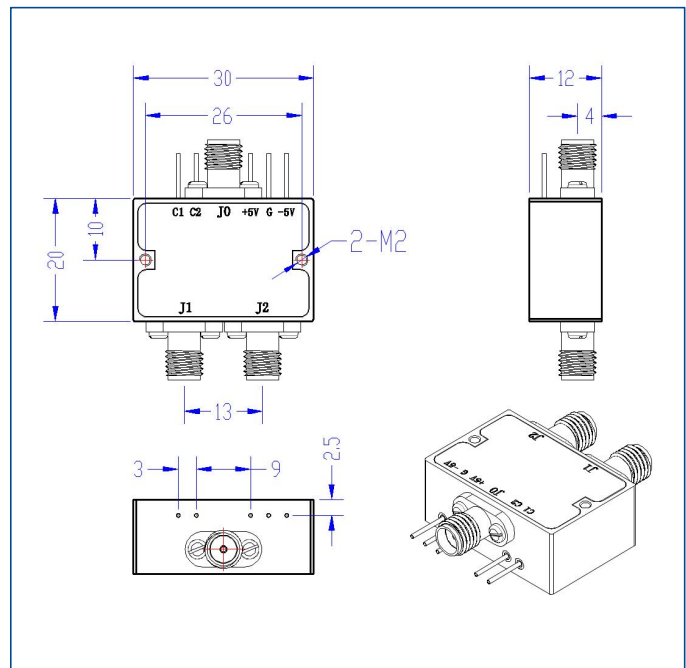
Frequency Range:	2000~6000 MHz
Impedance	50Ω
VSWR	1.5 max.
Insertion Loss	1.8dB max. / 1.3dB typ.
Isolation	60dB min. / 80dB typ.
Switch type	Absorptive, SP2T
Switching Time	100nS
RF Input Power(CW)	0.2 Watts
Supply Voltage	±5V
Current	30mA
Operating Temp.	-40°C~+70°C
TTL Control Connector	Solder Pin [0-on, 1-off]
Connector Type	Field Replaceable SMA Female (0.38mm Pin)



**50 Ohm Typical Characteristics**

Frequency	VSWR (S00)	VSWR (S11)	Loss (S01)	Phase (S02)	Isolation (S12)
MHz	:1	:1	dB	Deg.	dB
1000	1.85	1.88	-1.13	0.34	-77.04
1429	1.57	1.59	-0.91	0.58	-81.78
1857	1.38	1.4	-0.87	0.8	-85.67
2286	1.24	1.26	-0.82	0.99	-87.31
2714	1.14	1.18	-0.87	1.22	-85.97
3143	1.08	1.13	-0.93	1.48	-86.28
3571	1.06	1.12	-0.97	1.71	-88.01
4000	1.08	1.15	-1.05	1.89	-86.63
4429	1.11	1.19	-1.15	2.01	-85.55
4857	1.14	1.24	-1.26	2.06	-88.61
5286	1.17	1.29	-1.29	2.18	-88.36
5714	1.19	1.31	-1.34	2.36	-86.19
6143	1.2	1.3	-1.39	2.47	-87.53
6571	1.22	1.3	-1.45	2.6	-86.51
7000	1.25	1.27	-1.51	2.72	-92.47

**Dimensions[mm]**



**Typical Test Curve**

