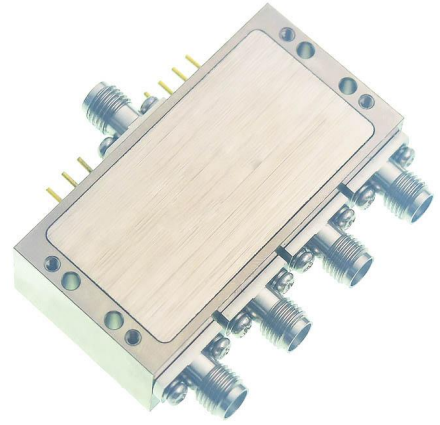


SPECIFICATIONS

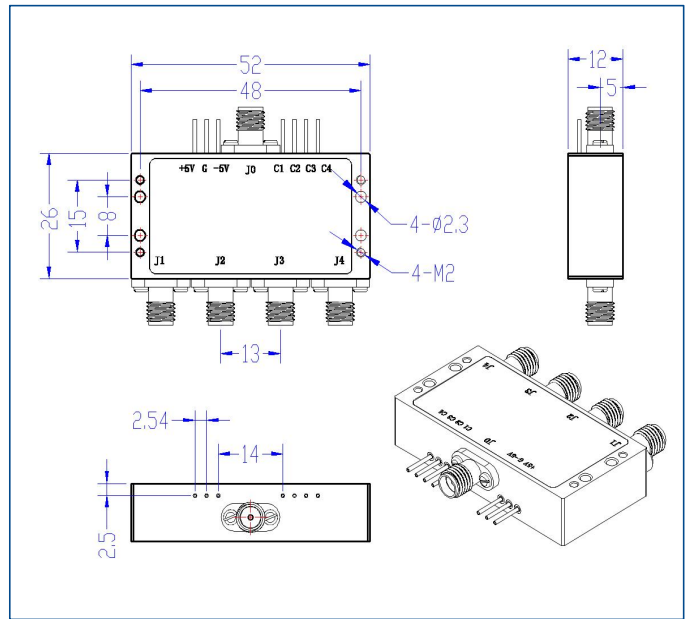
Frequency Range:	20~3000 MHz
Impedance	50Ω
VSWR	1.5 max. / 1.3 typ.
Insertion Loss	2.1 dB max. / 1.6dB typ.
Isolation	60dB min. / 80dB typ.
Switch type	Absorptive, SP4T
Switching Time	100nS
RF Input Power(CW)	0.2 Watts
Supply Voltage	±5V
Current	30mA
Operating Temp.	-40°C~+85°C
TTL Control Connector	Solder Pin [0-on, 1-off]
Connector Type	Field Replaceable SMA Female (0.38mm Pin)



50 Ohm Typical Characteristics

Frequency MHz	VSWR (S00)	VSWR (S11)	Loss (S01) dB	Loss (S03) dB	Isolation (S12) dB
20	1.18	1.22	-1.6	-1.74	-84.52
247	1.19	1.2	-0.88	-0.91	-87.55
474	1.2	1.19	-0.9	-0.92	-86.67
701	1.2	1.18	-0.94	-0.95	-86.82
929	1.21	1.16	-1.02	-1.01	-87.41
1156	1.21	1.14	-1.05	-1.04	-85.35
1383	1.2	1.13	-1.12	-1.11	-86.71
1610	1.18	1.11	-1.23	-1.24	-86.37
1837	1.15	1.11	-1.37	-1.33	-86.77
2064	1.12	1.12	-1.33	-1.29	-86.91
2291	1.1	1.14	-1.4	-1.31	-87.59
2519	1.09	1.17	-1.4	-1.35	-86.60
2746	1.13	1.22	-1.55	-1.39	-85.63
2973	1.22	1.32	-1.6	-1.46	-84.31
3200	1.29	1.4	-1.79	-1.53	-83.91

Dimensions[mm]



Typical Test Curve

