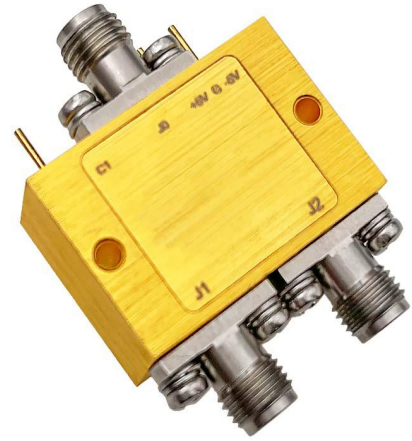


SPECIFICATIONS

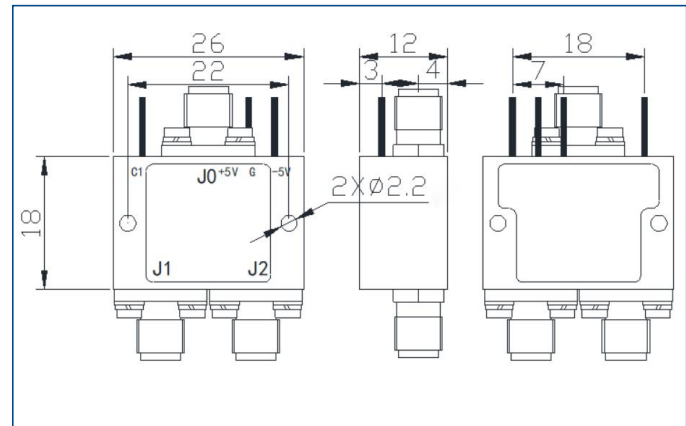
Frequency Range:	2000~30000 MHz
Impedance	50Ω
VSWR	2.2 max.
Insertion Loss	5.0dB max.
Isolation	50dB min.
Switch type	Absorptive, SP2T
Switching Time	800nS
RF Input Power(CW)	0.1 Watts
Supply Voltage	±5V
Current	40mA
Operating Temp.	-40°C~+70°C
TTL Control Connector	Solder Pin
Connector Type	2.92mm Female



50 Ohm Typical Characteristics

Frequency	VSWR (S00)	VSWR (S22)	Loss (S10)	Loss (S20)	Isolation (S12)
GHz	:1	:1	dB	dB	dB
1	1.41	1.64	-2.54	-2.83	-76.62
3.21	1.45	1.43	-1.77	-1.71	-78.22
5.43	1.58	1.15	-1.45	-1.44	-79.4
9.86	1.55	1.4	-1.64	-1.65	-82.17
12.07	1.17	1.21	-1.54	-1.64	-81.84
14.29	1.17	1.31	-1.7	-1.72	-79.57
18.71	1.83	1.84	-2.62	-2.26	-65.15
20.93	1.83	1.62	-2.34	-2.29	-69.2
25.36	2.1	1.79	-3.61	-3.3	-57.0
29.79	1.7	1.74	-3.53	-3.65	-70.89
32	3.39	1.48	-7.64	-8.74	-59.52

Dimensions[mm]



Typical Test Curve

