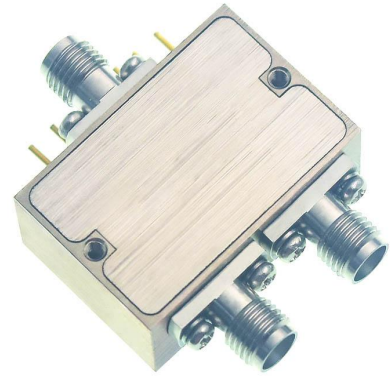


SPECIFICATIONS

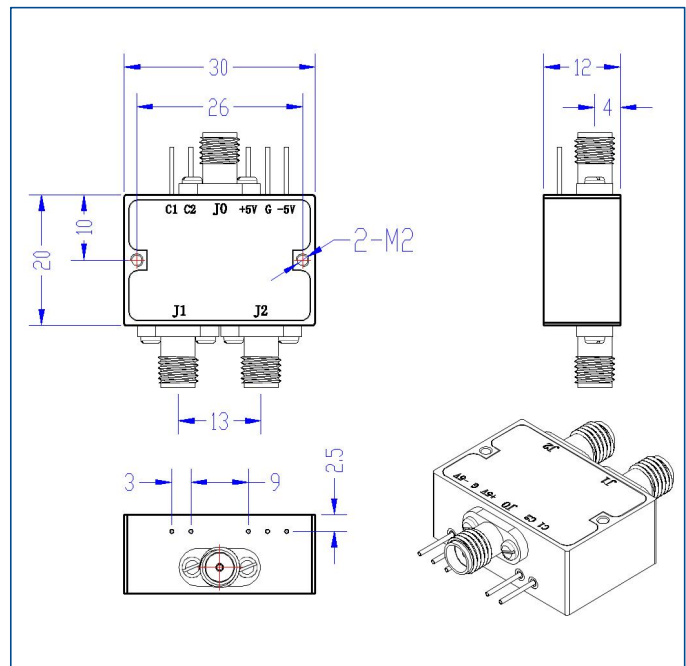
Frequency Range:	2000~18000 MHz
Impedance	50Ω
VSWR	1.8 max./ 1.6 typ.
Insertion Loss	2.8dB max. / 2dB typ.
Isolation	60dB min.
Switch type	Absorptive, SP2T
Switching Time	100nS
RF Input Power(CW)	0.2 Watts
Supply Voltage	±5V
Current	30mA
Operating Temp.	-40°C~+85°C
TTL Control Connector	Solder Pin [0-on, 1-off]
Connector Type	Field Replaceable SMA Female (0.38mm Pin)



50 Ohm Typical Characteristics

Frequency GHz	VSWR (S00)	VSWR (S11)	Loss (S01) dB	Phase (S02) Deg.	Isolation (S12) dB
2	1.6	1.59	-1.03	-0.49	-84.28
3	1.26	1.27	-0.91	-0.62	-87.13
4	1.2	1.19	-1.00	-0.75	-87.22
6	1.34	1.33	-1.26	-1.08	-87.44
7	1.32	1.31	-1.38	-1.24	-87.97
8	1.29	1.22	-1.43	-1.31	-84.66
9	1.29	1.12	-1.49	-1.4	-84.16
11	1.46	1.27	-1.65	-1.59	-81.76
12	1.51	1.4	-1.78	-1.78	-79.99
13	1.32	1.34	-1.76	-1.88	-77.92
14	1.31	1.44	-1.90	-1.92	-71.81
15	1.35	1.62	-2.06	-2.13	-69.46
17	1.08	1.4	-2.16	-2.35	-65.45
18	1.14	1.41	-2.31	-2.59	-67.65
19	1.34	1.55	-2.62	-2.86	-67.13

Dimensions[mm]



Typical Test Curve

