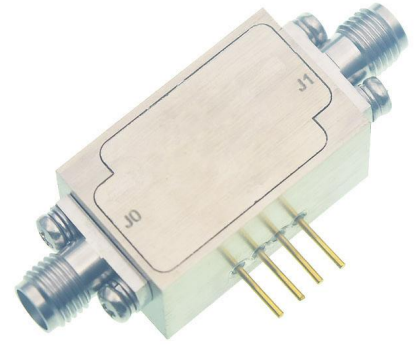


**SPECIFICATIONS**

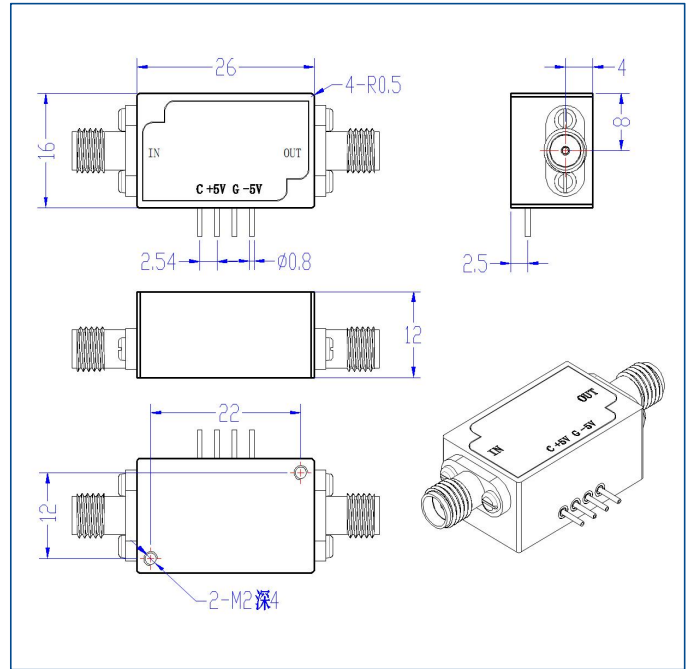
Frequency Range:	2000~6000 MHz
Impedance	50Ω
VSWR	1.6 max.
Insertion Loss	1.7dB max.
Isolation	60dB min.
Switch type	Absorptive, SP1T
Switching Time	100nS
RF Input Power(CW)	0.2 Watts
Supply Voltage	±5V
Current	30mA
Operating Temp.	-40°C~+85°C
TTL Control Connector	Solder Pin [0-on 1-off]
Connector Type	Field Replaceable SMA Female (0.38mm Pin)



**50 Ohm Typical Characteristics**

Frequency	VSWR (S11)	VSWR (S22)	Loss (S21)	Isolation (S23)
MHz	:1	:1	dB	dB
2000	1.45	1.48	-0.78	-85.7
2500	1.35	1.36	-0.74	-86.8
3000	1.26	1.24	-0.77	-87.8
3500	1.12	1.13	-0.79	-86.9
4000	1.04	1.08	-0.81	-89.1
4500	1.05	1.08	-0.85	-87.1
5000	1.11	1.1	-0.89	-87.6
5500	1.17	1.18	-0.92	-88.2
6000	1.22	1.23	-0.99	-87.2

**Dimensions[mm]**



**Typical Test Curve**

