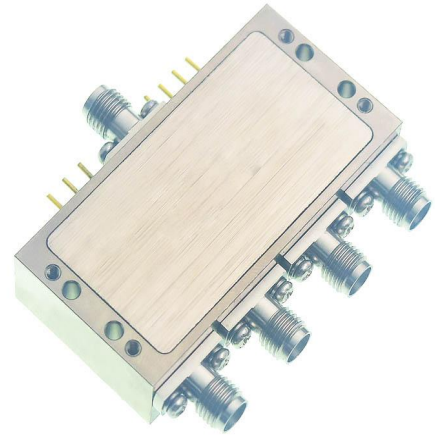


SPECIFICATIONS

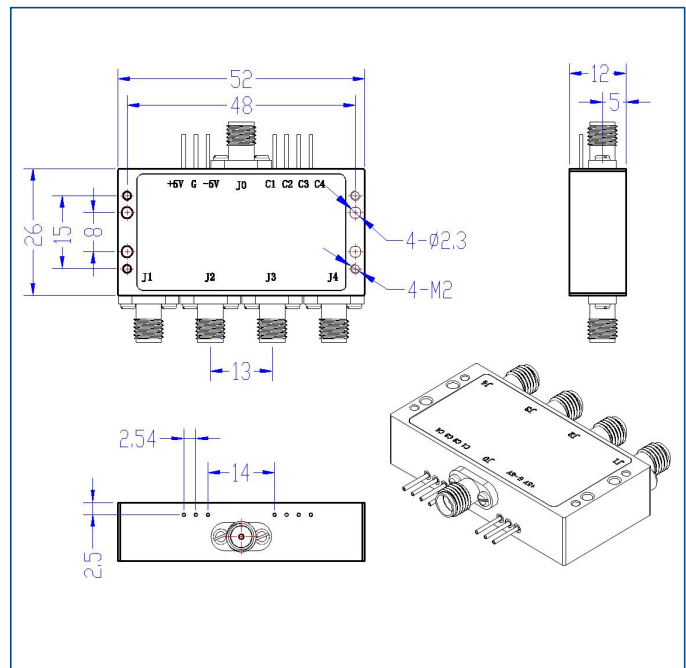
Frequency Range:	6000~18000 MHz
Impedance	50Ω
VSWR	1.9 max. / 1.6 typ.
Insertion Loss	3.2dB max. / 2.5dB typ.
Isolation	60dB min. / 70dB typ.
Switch type	Absorptive, SP4T
Switching Time	100nS
RF Input Power(CW)	0.2 Watts
Supply Voltage	±5V
Current	30mA
Operating Temp.	-40°C~+85°C
TTL Control Connector	Solder Pin
Connector Type	Field Replaceable SMA Female (0.38mm Pin)



50 Ohm Typical Characteristics

Frequency GHz	VSWR (S00) :1	VSWR (S11) :1	IL (S01) dB	Loss (S03) dB	Isolation (S12) dB
5	1.19	1.23	-1.1	-1.12	-85.92
6	1.07	1.02	-1.13	-1.13	-87.13
7	1.18	1.2	-1.24	-1.19	-86.23
8	1.09	1.17	-1.32	-1.26	-84.34
9	1.21	1.09	-1.39	-1.37	-86.01
10	1.36	1.17	-1.57	-1.49	-83.8
11	1.46	1.24	-1.7	-1.69	-82.66
12	1.44	1.27	-1.81	-1.81	-80.35
13	1.37	1.09	-1.93	-1.87	-74.2
14	1.51	1.24	-2.21	-1.99	-73.38
15	1.63	1.55	-2.34	-2.09	-73.02
16	1.3	1.18	-2.26	-2.2	-72.79
17	1.21	1.31	-2.35	-2.17	-73.31
18	1.19	1.36	-2.49	-2.45	-74.7
19	1.46	1.5	-2.87	-2.78	-70.1

Dimensions[mm]



Typical Test Curve

